

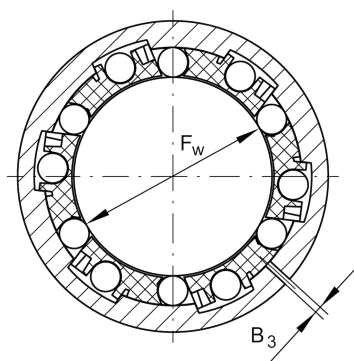
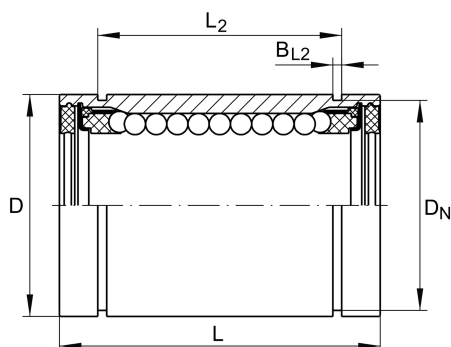
KBS12-PP

Linear ball bearing

Schaeffler ID:
0016968070000

Linear ball bearings KBS...-PP, machined range, adjustable, sealed on all sides, corrosion-resistant design possible

Technical information



Main Dimensions & Performance Data

F_w	12 mm	Bore diameter of ball complement
D	22 mm	Outside diameter
L	32 mm	length
	h12	Tolerance
C_{min}	540 N	load capacity dyn.
$C_{0 min}$	385 N	load capacity stat.
C_{max}	640 N	load capacity dyn.
$C_{0 max}$	570 N	load capacity stat.
	0,036 kg	Weight

Mounting dimensions

L_2	22,6 mm	
	H13	Tolerance
B_{L2}	1,3 mm	
B_3	1 mm	
D_N	21 mm	
N_2	1,5 mm	
X	55 °	
	5	Number of rows balls