

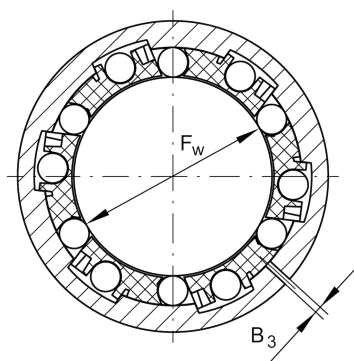
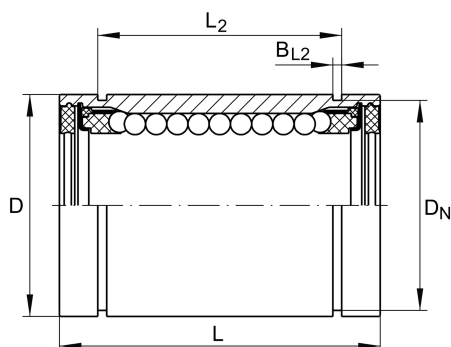
KBS25

Linear ball bearing

Schaeffler ID:
0012535300000

Linear ball bearings KBS..., machined range, adjustable, corrosion-resistant design possible

Technical information



Main Dimensions & Performance Data

F_w	25 mm	Bore diameter of ball complement
D	40 mm	Outside diameter
L	58 mm	length
	h12	Tolerance
C_{min}	2.800 N	load capacity dyn.
$C_{0 min}$	2.220 N	load capacity stat.
C_{max}	2.950 N	load capacity dyn.
$C_{0 max}$	2.850 N	load capacity stat.
	0,183 kg	Weight

Mounting dimensions

L_2	43,7 mm	
	H13	Tolerance
B_{L2}	1,85 mm	
B_3	1 mm	
D_N	37,5 mm	
N_2	2,5 mm	
X	62 °	
	6	Number of rows balls