

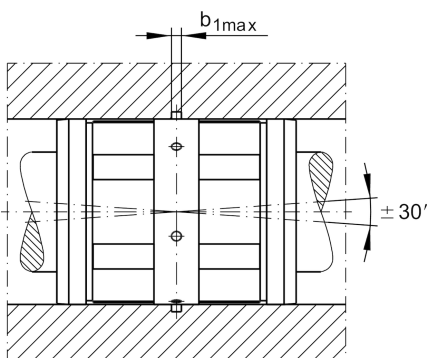
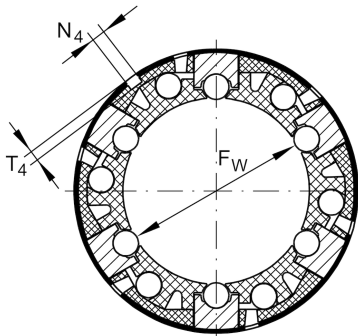
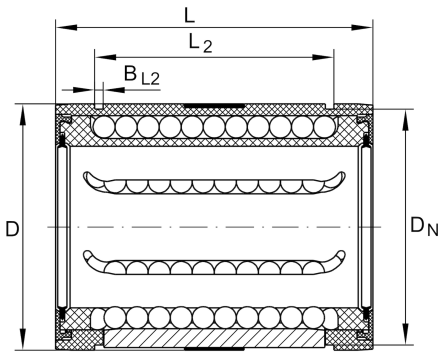
KN16-B

Linear ball bearing

Schaeffler ID:
0296806620000

Linear ball bearings KN...-B, Lightweight range, closed design, with relubrication facility, adjustable angle

Technical information



Main Dimensions & Performance Data

F_w	16 mm	Bore diameter of ball complement
D	26 mm	Outside diameter
L	36 mm	length
C_{min}	870 N	load capacity dyn.
$C_{0 min}$	620 N	load capacity stat.
C_{max}	1.040 N	load capacity dyn.
$C_{0 max}$	910 N	load capacity stat.
	28,96 g	Weight

Mounting dimensions

L_2	24,6 mm	
	H13	Tolerance
B_{L2}	1,3 mm	
D_N	25 mm	
T_4	0,7 mm	
N_4	3 mm	
$b_{1 max}$	1,5 mm	
	5	Number of rows balls