

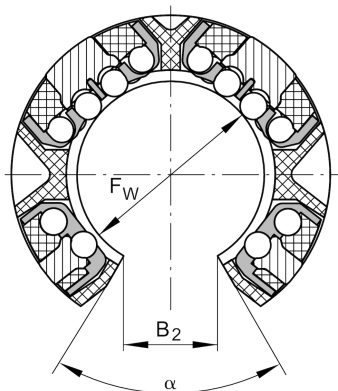
## KSO50

### Linear ball bearing

Schaeffler ID:  
0067538330000

Linear ball bearings KSO., heavy load range, open design, gap seals on both sides

## Technical information

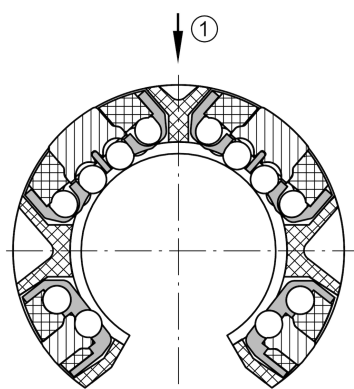
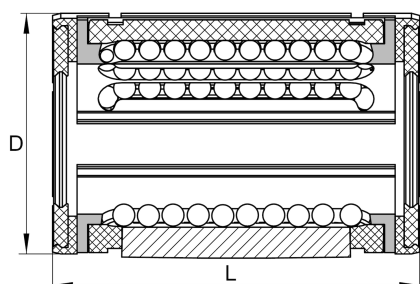


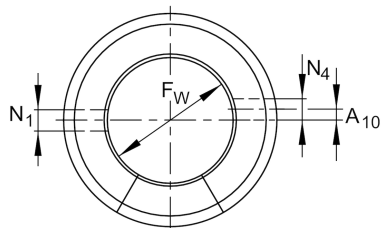
### Main Dimensions & Performance Data

$F_w$	50 mm	Bore diameter of ball complement
$D$	75 mm	Outside diameter
$L$	100 mm	length
$C_{max}$	15.100 N	load capacity dyn.
$C_{0max}$	13.900 N	load capacity stat.
	0,46 kg	Weight

### Mounting dimensions

$B_2$	22,7 mm	Width of sector opening
$A_{10}$	2,5 mm	Angle of sector opening
$N_1$	4,5 mm	
$N_4$	5 mm	
$\alpha$	54 °	Angle of sector opening
	6	Number of rows balls





KS30, 40, 50  
KSO30, 40, 50

