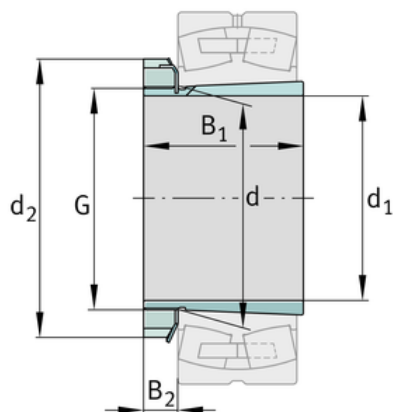
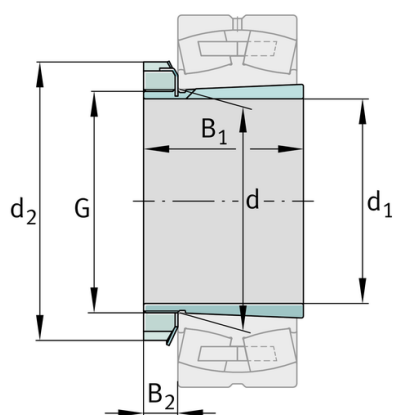
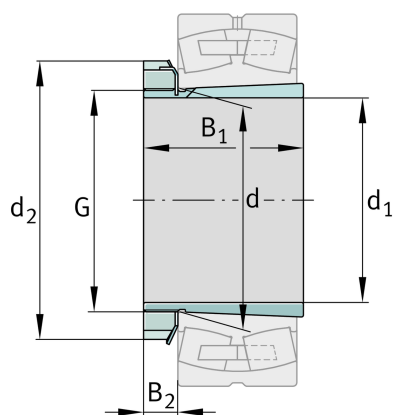
**FAG****H214**

Adapter sleeve

Schaeffler ID:
0191746400000Adapter sleeve H, accessory rolling
bearing, complete, mechanical, FP

Technical information

**Main Dimensions & Performance Data**

d_1	60 mm	bore diameter
G	M70x2	Thread
B_1	41 mm	sleeve length
	0,62 kg	Weight

Dimensions

	KM14	Locknut
	MB14	Fuse
d	70 mm	Bore diameter bearing
d_2	92 mm	Outside diameter nut
B_2	13,5 mm	Width nut and lock
	1:12	Taper

