

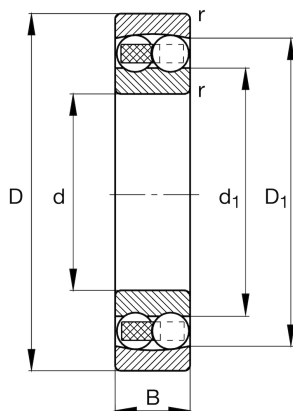
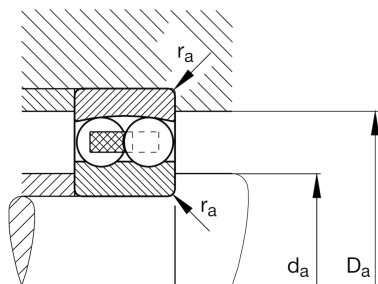
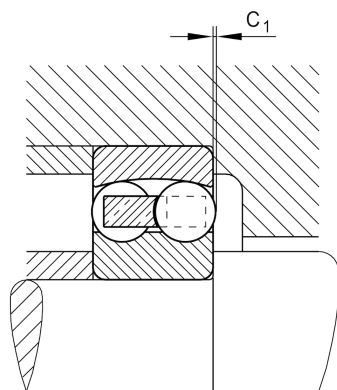
FAG

1221-M

Self-aligning ball bearing

Schaeffler ID:
0190100520000Self-aligning ball bearing 12..-M, solid
brass cage

Technical information

**Main Dimensions & Performance Data**

| | | |
|------------------|-------------|-----------------------------------|
| d | 105 mm | Bore diameter |
| D | 190 mm | Outside diameter |
| B | 36 mm | Width |
| r _{min} | 2,1 mm | Minimum chamfer dimension |
| C _r | 75.000 N | Basic dynamic load rating, radial |
| C _{0r} | 32.500 N | Basic static load rating, radial |
| C _{ur} | 1.690 N | Fatigue load limit, radial |
| n _G | 5.700 1/min | Limiting speed |
| n _{gr} | 4.350 1/min | Reference speed |
| | 4,59 kg | Weight |

Dimensions

| | | |
|----------------|----------|------------------------------|
| D ₁ | 155,2 mm | Shoulder diameter outer ring |
| d ₁ | 133,9 mm | Shoulder diameter inner ring |

Mounting dimensions

| | | |
|--------------------|--------|--------------------------------------|
| d _{a min} | 117 mm | Minimum diameter shaft shoulder |
| D _{a max} | 178 mm | Maximum diameter of housing shoulder |
| r _{a max} | 2,1 mm | Maximum fillet radius |

Calculation factors

| | | |
|----------------|------|--|
| e | 0,18 | Limiting value of Fa/Fr for the applicability of diff. Values of factors X and Y |
| Y ₁ | 3,52 | Dynamic axial load factor |
| Y ₂ | 5,45 | Dynamic axial load factor |
| Y ₀ | 3,69 | Static axial load factor |

Temperature range

| | | |
|------------------|--------|----------------------------|
| T _{min} | -30 °C | Operating temperature min. |
| T _{max} | 150 °C | Operating temperature max. |