

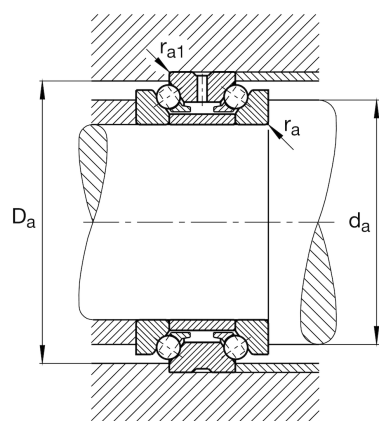
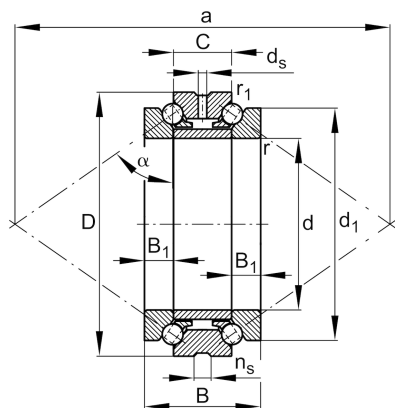
FAG

**234436-M-SP**

Axial angular contact ball bearing

Schaeffler ID:  
0384397780000Axial angular contact ball bearings 2344,  
double direction, separable, restricted  
tolerances

## Technical information



## Main Dimensions &amp; Performance Data

d	180 mm	Bore diameter
D	280 mm	Outside diameter
B	120 mm	Width
C	60 mm	Width, outer ring
C <sub>a</sub>	237.000 N	Basic dynamic load rating, axial
C <sub>0a</sub>	880.000 N	Basic static load rating, axial
C <sub>ua</sub>	53.000 N	Fatigue load limit, axial
n <sub>G Grease</sub>	2.000 1/min	Limiting speed for grease lubrication
n <sub>G Oil</sub>	3.000 1/min	Limiting speed for oil lubrication
	23,549 kg	Weight

## Dimensions

c <sub>a</sub>	1.315 N/μm	Axial rigidity
d <sub>1</sub>	248 mm	Rip diameter shaft washer
B <sub>1</sub>	30 mm	Height wave disc
K <sub>aE</sub>	4.733 N	Lift-off force
r <sub>min</sub>	2,1 mm	Minimum chamfer dimension
F <sub>v</sub>	1.660 N	Preload force
r <sub>1 min</sub>	0,6 mm	Minimum chamfer dimension
d <sub>s</sub>	8 mm	Diameter lubrication hole
n <sub>s</sub>	15 mm	Width of lubricating groove

## Mounting dimensions

d <sub>a</sub>	221 mm	Diameter shaft shoulder
d <sub>a</sub>	h12	Diameter shaft shoulder clearance
D <sub>a</sub>	263 mm	Shoulder diameter outer ring
D <sub>a</sub>	H12	Shoulder diameter outer ring clearance
r <sub>a max</sub>	2,1 mm	Maximum recess radius
r <sub>a1 max</sub>	0,6 mm	Maximum recess radius
α	60 °	Contact angle
a	465,5 mm	Distance between the apexes of the pressure cones

**Temperature range**

T <sub>min</sub>	-30 °C	Operating temperature min.
T <sub>max</sub>	150 °C	Operating temperature max.