

FAG

**53305**

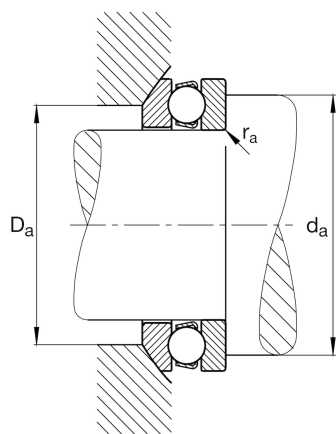
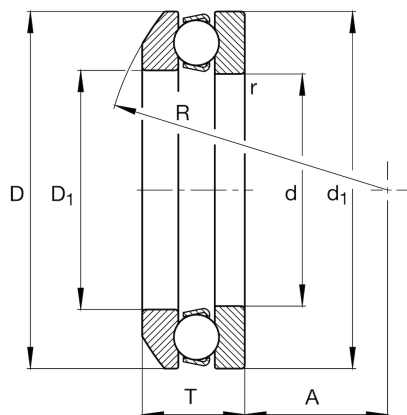
Axial deep groove ball bearing

Schaeffler ID:  
0190708610000

Axial deep groove ball bearing 533, single direction, with spherical housing washer, steel sheet metal cage

## Technical information

## Main Dimensions &amp; Performance Data



d	25 mm	Bore diameter
D	52 mm	Outside diameter
T	19,8 mm	Height
$C_a$	34.500 N	Basic dynamic load rating, axial
$C_{0a}$	55.000 N	Basic static load rating, axial
$C_{ua}$	2.500 N	Fatigue load limit, axial
$n_G$	6.000 1/min	Limiting speed
$n_{gr}$	10.400 1/min	Reference speed
	0,175 kg	Weight

## Additional information

$r_{min}$	1 mm	Minimum chamfer dimension
	U305	Seat washer
$D_1$	27 mm	Bore diameter housing washer
$d_1$	52 mm	Lip diameter shaft washer
R	45 mm	Radius spherical housing washer
A	21 mm	Distance of the center point
$T_1$	22 mm	Height with seat washer

## Mounting dimensions

$d_{a min}$	41 mm	Minimum diameter shaft shoulder
$D_{a max}$	38 mm	Maximum diameter of housing shoulder
$r_{a max}$	1 mm	Maximum recess radius

## Calculation factors

A	0,019	Minimum load factor
---	-------	---------------------

## Temperature range

$T_{min}$	-30 °C	Operating temperature min.
$T_{max}$	150 °C	Operating temperature max.