

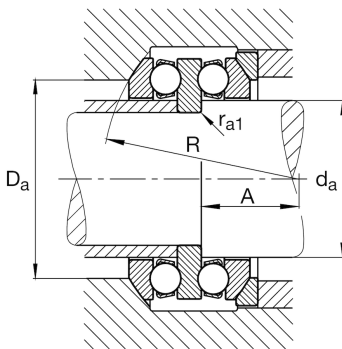
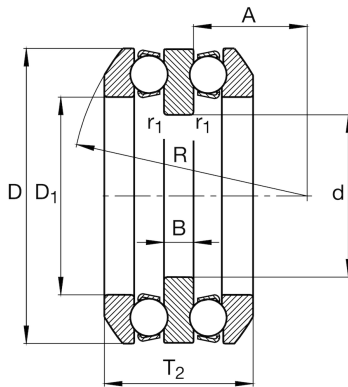
FAG

54305

Axial deep groove ball bearing

Schaeffler ID:
0190752600000Axial deep groove ball bearing 543, double
direction, with spherical housing washer,
steel sheet metal cage

Technical information

**Main Dimensions & Performance Data**

d	20 mm	Bore diameter
D	52 mm	Outside diameter
T ₂	37,6 mm	Height
C _a	34.500 N	Basic dynamic load rating, axial
C _{0a}	55.000 N	Basic static load rating, axial
C _{ua}	2.500 N	Fatigue load limit, axial
n _G	6.000 1/min	Limiting speed
n _{gr}	9.700 1/min	Reference speed
	0,003 kg	Weight

Additional information

D ₁	27 mm	Bore diameter housing washer
	U305	Seat washer
B	8 mm	Height shaft washer
r _{min}	1 mm	Minimum chamfer dimension
r _{1 min}	0,3 mm	Minimum chamfer dimension
R	45 mm	Radius spherical housing washer
A	18 mm	Distance of the center point
T ₃	42 mm	Height with seat washer

Mounting dimensions

d _{a max}	25 mm	Maximum mounting dimension shaft
D _{a max}	38 mm	Maximum diameter of housing shoulder
r _{a max}	1 mm	Maximum recess radius
r _{a1 max}	0,3 mm	Maximum recess radius

Calculation factors

A	0,019	Minimum load factor
---	-------	---------------------

Temperature range

T _{min}	-30 °C	Operating temperature min.
T _{max}	150 °C	Operating temperature max.