

FAG

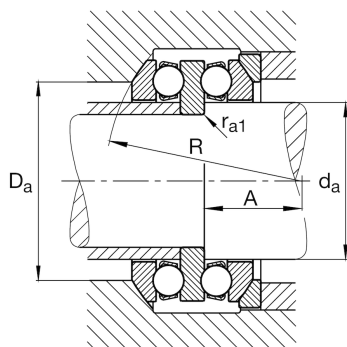
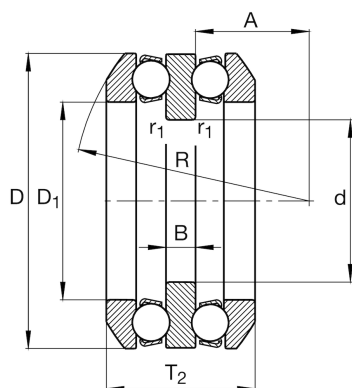
**54306**

## Axial deep groove ball bearing

Schaeffler ID:  
0190752780000

Axial deep groove ball bearing 543, double direction, with spherical housing washer, steel sheet metal cage

## Technical information

**Main Dimensions & Performance Data**

d	25 mm	Bore diameter
D	60 mm	Outside diameter
T <sub>2</sub>	41,2 mm	Height
C <sub>a</sub>	35.500 N	Basic dynamic load rating, axial
C <sub>0a</sub>	65.000 N	Basic static load rating, axial
C <sub>ua</sub>	2.950 N	Fatigue load limit, axial
n <sub>G</sub>	5.700 1/min	Limiting speed
n <sub>gr</sub>	8.600 1/min	Reference speed
	0,48 kg	Weight

**Additional information**

D <sub>1</sub>	32 mm	Bore diameter housing washer
	U306	Seat washer
B	9 mm	Height shaft washer
r <sub>min</sub>	1 mm	Minimum chamfer dimension
r <sub>1 min</sub>	0,3 mm	Minimum chamfer dimension
R	50 mm	Radius spherical housing washer
A	19,5 mm	Distance of the center point
T <sub>3</sub>	46 mm	Height with seat washer

**Mounting dimensions**

d <sub>a max</sub>	30 mm	Maximum mounting dimension shaft
D <sub>a max</sub>	45 mm	Maximum diameter of housing shoulder
r <sub>a max</sub>	1 mm	Maximum recess radius
r <sub>a1 max</sub>	0,3 mm	Maximum recess radius

**Calculation factors**

A	0,028	Minimum load factor
---	-------	---------------------

**Temperature range**

T <sub>min</sub>	-30 °C	Operating temperature min.
T <sub>max</sub>	150 °C	Operating temperature max.