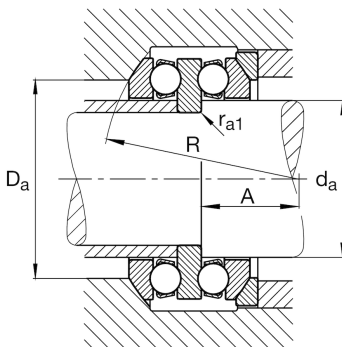
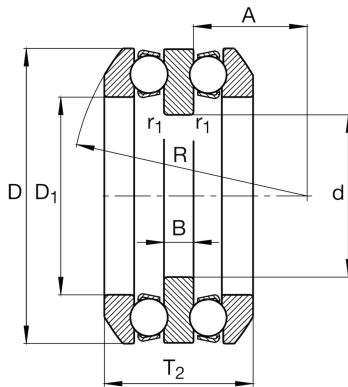
**FAG****54311**

## Axial deep groove ball bearing

Schaeffler ID:  
0190753400000

Axial deep groove ball bearing 543, double direction, with spherical housing washer, steel sheet metal cage

## Technical information

**Main Dimensions & Performance Data**

d	45 mm	Bore diameter
D	105 mm	Outside diameter
T <sub>2</sub>	72,6 mm	Height
C <sub>a</sub>	102.000 N	Basic dynamic load rating, axial
C <sub>0a</sub>	207.000 N	Basic static load rating, axial
C <sub>ua</sub>	9.500 N	Fatigue load limit, axial
n <sub>G</sub>	3.200 1/min	Limiting speed
n <sub>gr</sub>	5.700 1/min	Reference speed
	2,53 kg	Weight

**Additional information**

D <sub>1</sub>	57 mm	Bore diameter housing washer
	U311	Seat washer
B	15 mm	Height shaft washer
r <sub>min</sub>	1,1 mm	Minimum chamfer dimension
r <sub>1 min</sub>	0,6 mm	Minimum chamfer dimension
R	80 mm	Radius spherical housing washer
A	25,5 mm	Distance of the center point
T <sub>3</sub>	78 mm	Height with seat washer

**Mounting dimensions**

d <sub>a max</sub>	55 mm	Maximum mounting dimension shaft
D <sub>a max</sub>	80 mm	Maximum diameter of housing shoulder
r <sub>a max</sub>	1 mm	Maximum recess radius
r <sub>a1 max</sub>	0,6 mm	Maximum recess radius

**Calculation factors**

A	0,26	Minimum load factor
---	------	---------------------

**Temperature range**

T <sub>min</sub>	-30 °C	Operating temperature min.
T <sub>max</sub>	150 °C	Operating temperature max.