

FAG

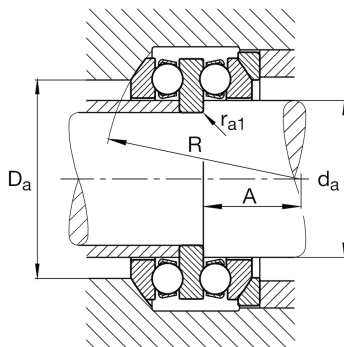
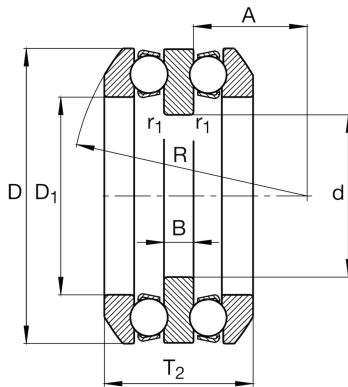
54312

Axial deep groove ball bearing

Schaeffler ID:
0190753590000

Axial deep groove ball bearing 543, double direction, with spherical housing washer, steel sheet metal cage

Technical information

**Main Dimensions & Performance Data**

d	50 mm	Bore diameter
D	110 mm	Outside diameter
T ₂	70,6 mm	Height
C _a	101.000 N	Basic dynamic load rating, axial
C _{0a}	207.000 N	Basic static load rating, axial
C _{ua}	9.500 N	Fatigue load limit, axial
n _G	3.150 1/min	Limiting speed
n _{gr}	5.400 1/min	Reference speed
	2,522 kg	Weight

Additional information

D ₁	62 mm	Bore diameter housing washer
	U312	Seat washer
B	15 mm	Height shaft washer
r _{min}	1,1 mm	Minimum chamfer dimension
r _{1 min}	0,6 mm	Minimum chamfer dimension
R	90 mm	Radius spherical housing washer
A	36,5 mm	Distance of the center point
T ₃	78 mm	Height with seat washer

Mounting dimensions

d _{a max}	60 mm	Maximum mounting dimension shaft
D _{a max}	85 mm	Maximum diameter of housing shoulder
r _{a max}	1 mm	Maximum recess radius
r _{a1 max}	0,6 mm	Maximum recess radius

Calculation factors

A	0,28	Minimum load factor
---	------	---------------------

Temperature range

T _{min}	-30 °C	Operating temperature min.
T _{max}	150 °C	Operating temperature max.