

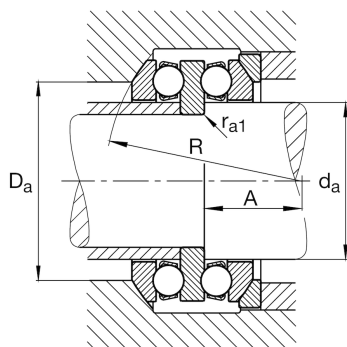
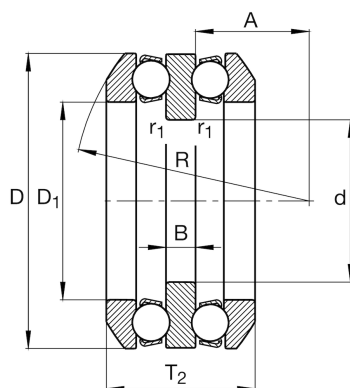
FAG

54314

Axial deep groove ball bearing

Schaeffler ID:  
0167161160000Axial deep groove ball bearing 543, double  
direction, with spherical housing washer,  
steel sheet metal cage

## Technical information



## Main Dimensions &amp; Performance Data

d	55 mm	Bore diameter
D	125 mm	Outside diameter
T <sub>2</sub>	80,4 mm	Height
C <sub>a</sub>	134.000 N	Basic dynamic load rating, axial
C <sub>0a</sub>	290.000 N	Basic static load rating, axial
C <sub>ua</sub>	13.300 N	Fatigue load limit, axial
n <sub>G</sub>	2.750 1/min	Limiting speed
n <sub>gr</sub>	4.800 1/min	Reference speed
	3,77 kg	Weight

## Additional information

D <sub>1</sub>	72 mm	Bore diameter housing washer
	U314	Seat washer
B	16 mm	Height shaft washer
r <sub>min</sub>	1,1 mm	Minimum chamfer dimension
r <sub>1 min</sub>	1 mm	Minimum chamfer dimension
R	100 mm	Radius spherical housing washer
A	39 mm	Distance of the center point
T <sub>3</sub>	88 mm	Height with seat washer

## Mounting dimensions

d <sub>a max</sub>	70 mm	Maximum mounting dimension shaft
D <sub>a max</sub>	98 mm	Maximum diameter of housing shoulder
r <sub>a max</sub>	1 mm	Maximum recess radius
r <sub>a1 max</sub>	1 mm	Maximum recess radius

## Calculation factors

A	0,51	Minimum load factor
---	------	---------------------

## Temperature range

T <sub>min</sub>	-30 °C	Operating temperature min.
T <sub>max</sub>	150 °C	Operating temperature max.