



## GE120-XL-KRR-B

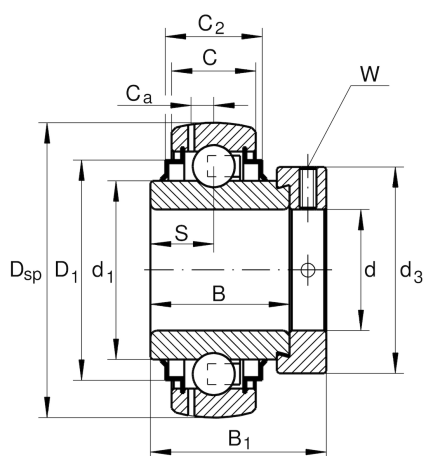
Radial insert ball bearing

Schaeffler ID:  
0008777510000

Radial insert ball bearing GE..-XL-KRR-B

X-life

### Technical information



#### Main Dimensions & Performance Data

d	120 mm	Bore diameter
D <sub>SP</sub>	215 mm	Outside diameter
B	63,5 mm	Width
B <sub>1</sub>	81 mm	Locking collar total width
n <sub>G Grease</sub>	3.500 1/min	Limiting speed for grease lubrication
C <sub>r</sub>	165.000 N	Basic dynamic load rating, radial
C <sub>0r</sub>	131.000 N	Basic static load rating, radial
C <sub>ur</sub>	5.300 N	Fatigue load limit, radial
	7,49 kg	Weight

#### Dimensions

C	40 mm	Width, outer ring
C <sub>2</sub>	45 mm	Sealing total width
S	28,5 mm	Distance raceway
d <sub>1</sub>	146,4 mm	Rib diameter inner ring
D <sub>1</sub>	186,5 mm	Outside diameter seal
C <sub>a</sub>	12,8 mm	Distance to lubrication hole
d <sub>3</sub>	152 mm	Outside diameter locking collar/locknut
W	6 mm	Width of flats

#### Calculation factors

f <sub>0</sub>	14,4	Calculation factor
----------------	------	--------------------