

FAG

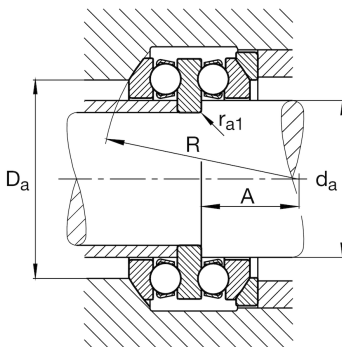
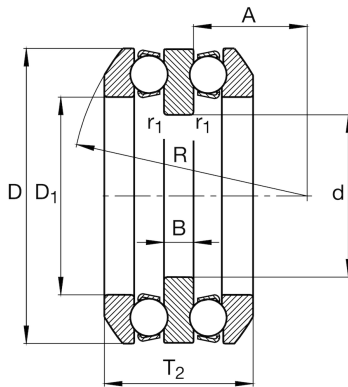
54316

Axial deep groove ball bearing

Schaeffler ID:
0190753910000

Axial deep groove ball bearing 543, double direction, with spherical housing washer, steel sheet metal cage

Technical information



Temperature range

T_{\min}	-30 °C	Operating temperature min.
T_{\max}	150 °C	Operating temperature max.
	4,91 kg	Weight

Main Dimensions & Performance Data

d	65 mm	Bore diameter
D	140 mm	Outside diameter
T_2	86,2 mm	Height
C_a	160.000 N	Basic dynamic load rating, axial
C_{0a}	360.000 N	Basic static load rating, axial
C_{ua}	15.500 N	Fatigue load limit, axial
n_G	2.460 1/min	Limiting speed
n_{gr}	4.350 1/min	Reference speed

Dimensions

D_1	82 mm	Bore diameter housing washer
B	18 mm	Height shaft washer
r_{\min}	1,5 mm	Minimum chamfer dimension
$r_{1\min}$	1 mm	Minimum chamfer dimension
R	112 mm	Radius spherical housing washer
A	45,5 mm	Distance of the center point
T_3	95 mm	Height with seat washer

Mounting dimensions

$d_{a\max}$	80 mm	Maximum mounting dimension shaft
$D_{a\max}$	110 mm	Maximum diameter of housing shoulder
$r_{a\max}$	1,5 mm	Maximum recess radius
$r_{a1\max}$	1 mm	Maximum recess radius

Additional information

A	0,79	Minimum load factor
	U316	Seat washer