

**FAG**★ **F11205**

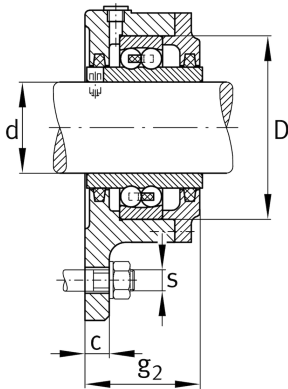
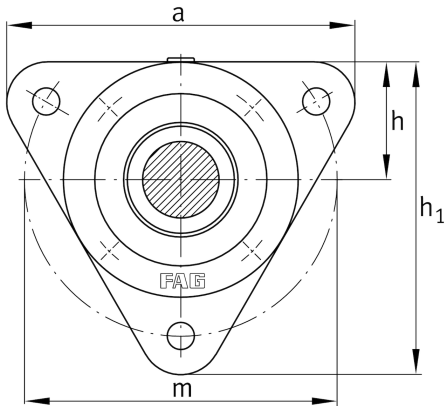
Flanged housing

Schaeffler ID:
0383828300000

Flanged housing for self-aligning ball bearing 112 with wide inner-ring, felt seal, grease lubrication

★ Preferred product

Technical information

**Main Dimensions & Performance Data**

d	25 mm	Shaft diameter
a	110 mm	Flange width
g ₂	46 mm	Total width with cover
h ₁	100 mm	Height flange
	0,841 kg	Weight

Dimensions

	M10x1 M	Connection thread for lubrication
c	10 mm	Thickness of flange
D	52 mm	Outside diameter bearing
h	38 mm	Distance shaft axis
m	96 mm	Pitch circle diameter fixing holes
s	M10 m	Size of fixing screws