

**FAG**★ **F11206**

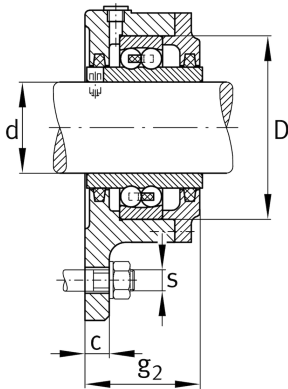
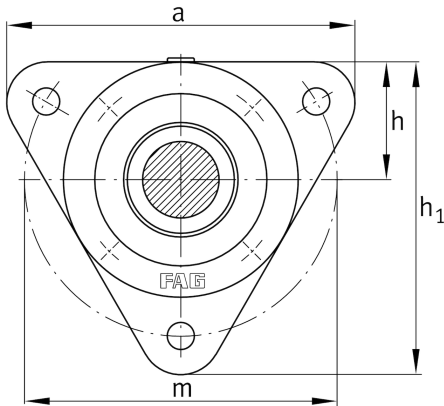
Flanged housing

Schaeffler ID:
0383828490000

Flanged housing for self-aligning ball bearing 112 with wide inner-ring, felt seal, grease lubrication

★ Preferred product

Technical information

**Main Dimensions & Performance Data**

| | | |
|----------------|---------|------------------------|
| d | 30 mm | Shaft diameter |
| a | 130 mm | Flange width |
| g ₂ | 49 mm | Total width with cover |
| h ₁ | 117 mm | Height flange |
| | 1,35 kg | Weight |

Dimensions

| | | |
|---|---------|------------------------------------|
| | M10x1 M | Connection thread for lubrication |
| c | 12 mm | Thickness of flange |
| D | 62 mm | Outside diameter bearing |
| h | 44 mm | Distance shaft axis |
| m | 116 mm | Pitch circle diameter fixing holes |
| s | M10 m | Size of fixing screws |