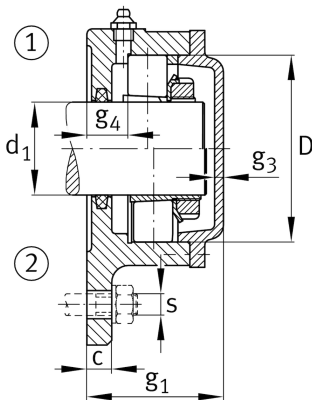
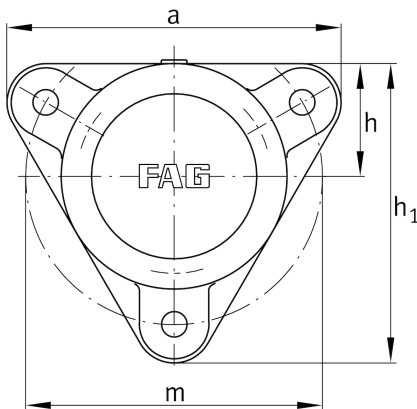


**FAG****F505-A-L**

## Flanged housing

Schaeffler ID:  
0383828900000Flanged housing for various bearing types,  
with conical bore and clamping sleeve,  
closed on one side

## Technical information

**Main Dimensions & Performance Data**

d <sub>1</sub>	20 mm	Shaft diameter
a	110 mm	Flange width
h <sub>1</sub>	100 mm	height flange
g <sub>2</sub>	50 mm	total width with cover
	3	number of fastening holes
	1,2 kg	Weight

**Dimensions**

	M10x1	connection thread lubrication
c	10 mm	thickness of flange
D	52 mm	outside diameter bearing
g <sub>4</sub>	16 mm	distance flange to bearing seat
h	38 mm	distance shaft axis
m	96 mm	pich circle diameter fixing holes
s	M10	size of fixing screws