

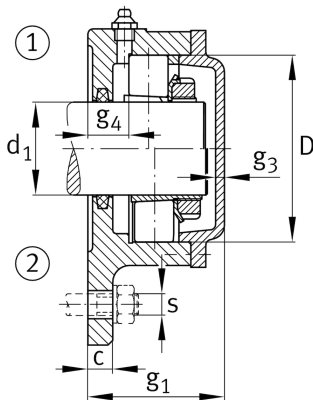
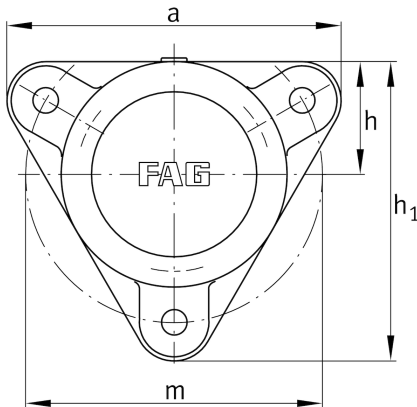
**FAG****F506-WA-L**

Flanged housing

Schaeffler ID:  
0383829110000

Flanged housing for various bearing types, wide version with conical bore and clamping sleeve, closed on one side

## Technical information

**Main Dimensions & Performance Data**

$d_1$	25 mm	Shaft diameter
$a$	130 mm	Flange width
$h_1$	117 mm	height flange
$g_2$	55 mm	total width with cover
	3	number of fastening holes
	1,537 kg	Weight

**Dimensions**

	M10x1	connection thread lubrication
$c$	12 mm	thickness of flange
$D$	62 mm	outside diameter bearing
$g_4$	16 mm	distance flange to bearing seat
$h$	44 mm	distance shaft axis
$m$	116 mm	pitch circle diameter fixing holes
$s$	M10	size of fixing screws