


**FAG**
**★ F507-B-L**

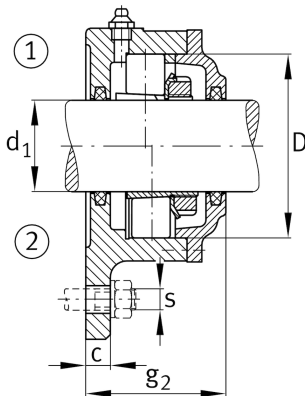
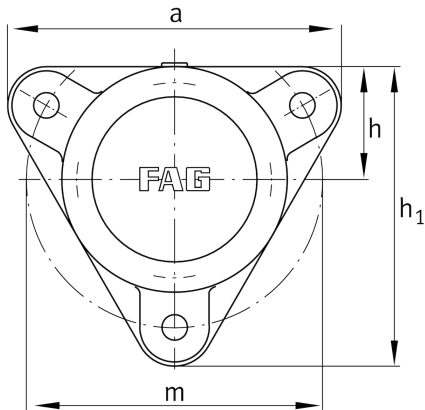
Flanged housing

 Schaeffler ID:  
0384386580000

 Flanged housing for various bearing types,  
with conical bore and clamping sleeve,  
continuous shaft

**★ Preferred product**

## Technical information


**Main Dimensions & Performance Data**

$d_1$	30 mm	Shaft diameter
a	145 mm	Flange width
$h_1$	130 mm	height flange
$g_2$	60 mm	total width with cover
	3	number of fastening holes
	2 kg	Weight

**Dimensions**

	M10x1	connection thread lubrication
c	12 mm	thickness of flange
D	72 mm	outside diameter bearing
$g_4$	17 mm	distance flange to bearing seat
h	48,5 mm	distance shaft axis
m	130 mm	pitch circle diameter fixing holes
s	M12	size of fixing screws