

**FAG**★ **F507-WB-L**

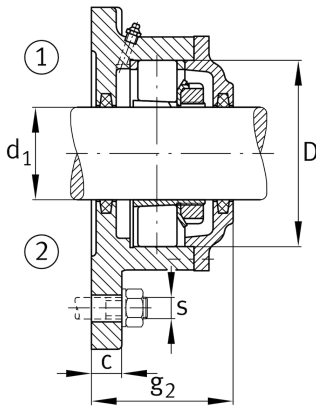
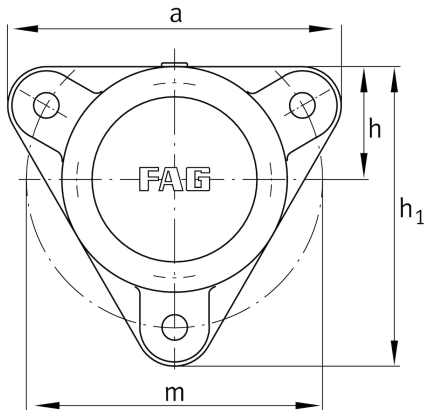
Flanged housing

Schaeffler ID:  
0167286700000

★ Preferred product

Flanged housing for various bearing types, wide version with conical bore and clamping sleeve, continuous shaft

## Technical information

**Main Dimensions & Performance Data**

$d_1$	30 mm	Shaft diameter
$a$	145 mm	Flange width
$h_1$	130 mm	height flange
$g_2$	66 mm	total width with cover
	3	number of fastening holes
	2,2 kg	Weight

**Dimensions**

	M10x1	connection thread lubrication
$c$	12 mm	thickness of flange
$D$	72 mm	outside diameter bearing
$g_4$	17 mm	distance flange to bearing seat
$h$	48,5 mm	distance shaft axis
$m$	130 mm	pitch circle diameter fixing holes
$s$	M12	size of fixing screws