

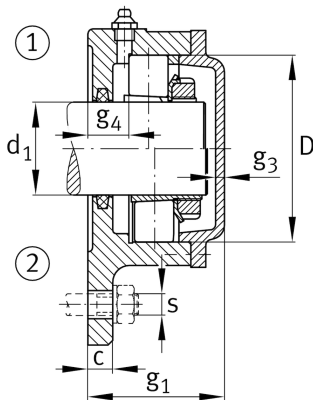
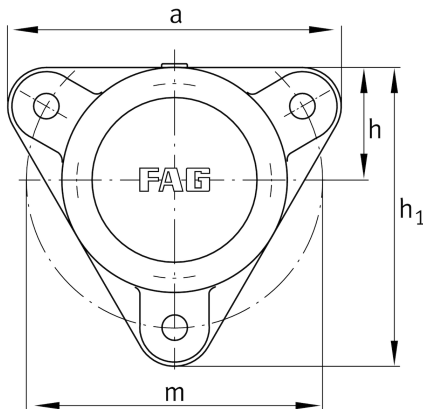
**FAG****F508-WA-L**

Flanged housing

Schaeffler ID:  
0191672700000

Flanged housing for various bearing types, wide version with conical bore and clamping sleeve, closed on one side

## Technical information

**Main Dimensions & Performance Data**

$d_1$	35 mm	Shaft diameter
a	160 mm	Flange width
$h_1$	143 mm	height flange
$g_2$	70 mm	total width with cover
	3	number of fastening holes
	2,9 kg	Weight

**Dimensions**

	M10x1	connection thread lubrication
c	12 mm	thickness of flange
D	80 mm	outside diameter bearing
$g_4$	22 mm	distance flange to bearing seat
h	54 mm	distance shaft axis
m	140 mm	pitch circle diameter fixing holes
s	M12	size of fixing screws