


FAG
★ F509-A-L

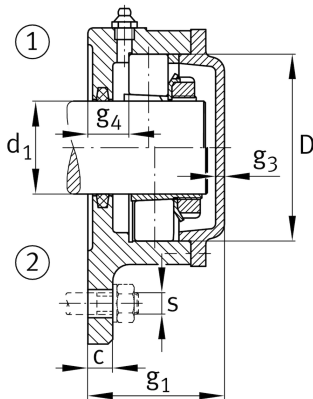
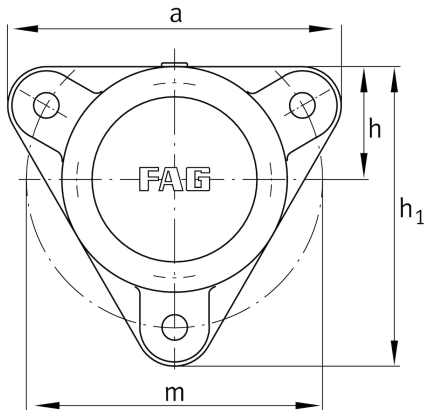
Flanged housing

 Schaeffler ID:
0384386900000

★ Preferred product

 Flanged housing for various bearing types,
with conical bore and clamping sleeve,
closed on one side

Technical information


Main Dimensions & Performance Data

d_1	40 mm	Shaft diameter
a	180 mm	Flange width
h_1	160 mm	height flange
g_2	65 mm	total width with cover
	3	number of fastening holes
	3,499 kg	Weight

Dimensions

	M10x1	connection thread lubrication
c	15 mm	thickness of flange
D	85 mm	outside diameter bearing
g_4	22 mm	distance flange to bearing seat
h	60 mm	distance shaft axis
m	160 mm	pitch circle diameter fixing holes
s	M12	size of fixing screws