


**FAG**
**★ F509-WA-L**

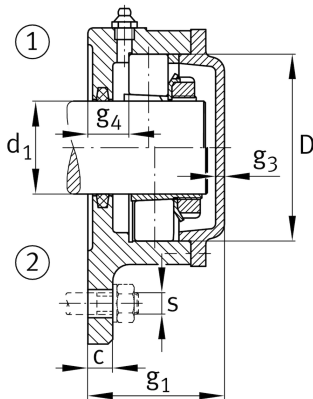
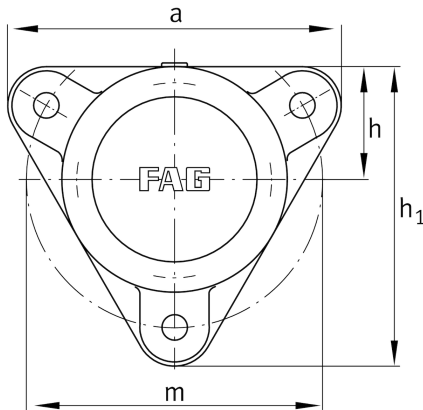
Flanged housing

 Schaeffler ID:  
0383829460000

**★ Preferred product**

Flanged housing for various bearing types, wide version with conical bore and clamping sleeve, closed on one side

## Technical information


**Main Dimensions & Performance Data**

$d_1$	40 mm	Shaft diameter
$a$	180 mm	Flange width
$h_1$	160 mm	height flange
$g_2$	69 mm	total width with cover
	3	number of fastening holes
	3,7 kg	Weight

**Dimensions**

	M10x1	connection thread lubrication
$c$	15 mm	thickness of flange
$D$	85 mm	outside diameter bearing
$g_4$	22 mm	distance flange to bearing seat
$h$	60 mm	distance shaft axis
$m$	160 mm	pitch circle diameter fixing holes
$s$	M12	size of fixing screws