

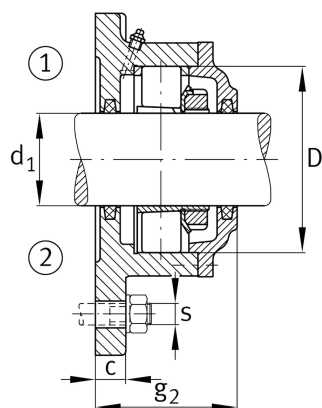
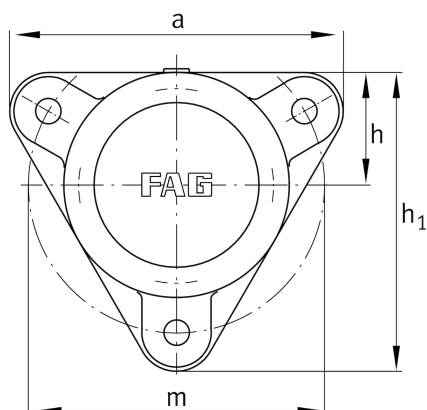
**FAG****F510-WB-L**

Flanged housing

Schaeffler ID:
0383829700000

Flanged housing for various bearing types, wide version with conical bore and clamping sleeve, continuous shaft

Technical information

**Main Dimensions & Performance Data**

| | | |
|-------|----------|---------------------------|
| d_1 | 45 mm | Shaft diameter |
| a | 180 mm | Flange width |
| h_1 | 160 mm | height flange |
| g_2 | 76 mm | total width with cover |
| | 3 | number of fastening holes |
| | 3,461 kg | Weight |

Dimensions

| | | |
|-------|--------|------------------------------------|
| | M10x1 | connection thread lubrication |
| c | 15 mm | thickness of flange |
| D | 90 mm | outside diameter bearing |
| g_4 | 23 mm | distance flange to bearing seat |
| h | 60 mm | distance shaft axis |
| m | 160 mm | pitch circle diameter fixing holes |
| s | M12 | size of fixing screws |