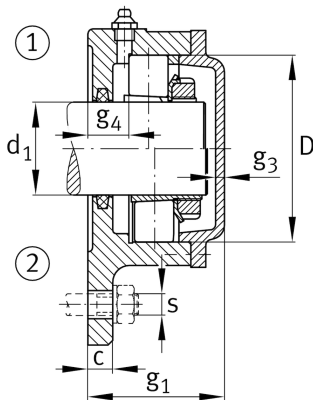
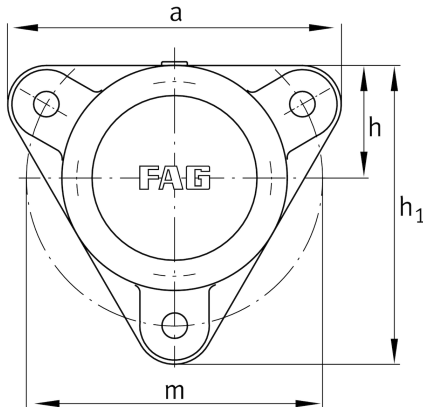


**FAG****F512-A-L**

## Flanged housing

Schaeffler ID:  
0383830040000Flanged housing for various bearing types,  
with conical bore and clamping sleeve,  
closed on one side

## Technical information

**Main Dimensions & Performance Data**

$d_1$	55 mm	Shaft diameter
$a$	206 mm	Flange width
$h_1$	185 mm	height flange
$g_2$	73 mm	total width with cover
	3	number of fastening holes
	4,6 kg	Weight

**Dimensions**

	M10x1	connection thread lubrication
$c$	16 mm	thickness of flange
$D$	110 mm	outside diameter bearing
$g_4$	24 mm	distance flange to bearing seat
$h$	70 mm	distance shaft axis
$m$	180 mm	pitch circle diameter fixing holes
$s$	M12	size of fixing screws