


**FAG**
**★ F512-B-L**

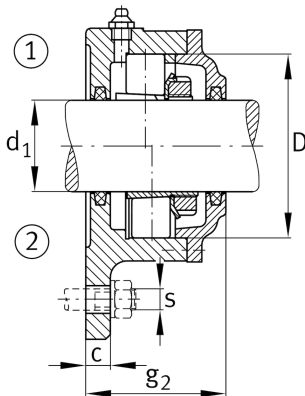
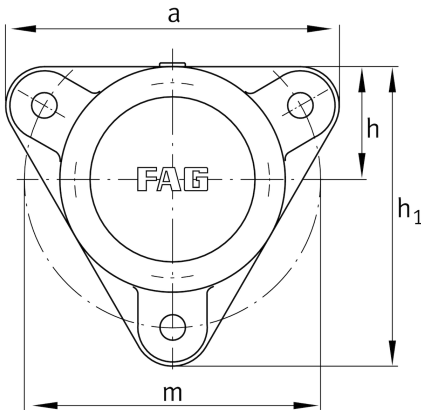
Flanged housing

 Schaeffler ID:  
0383830120000

★ Preferred product

 Flanged housing for various bearing types,  
with conical bore and clamping sleeve,  
continuous shaft

## Technical information


**Main Dimensions & Performance Data**

$d_1$	55 mm	Shaft diameter
$a$	206 mm	Flange width
$h_1$	185 mm	height flange
$g_2$	78 mm	total width with cover
	3	number of fastening holes
	4,675 kg	Weight

**Dimensions**

	M10x1	connection thread lubrication
$c$	16 mm	thickness of flange
$D$	110 mm	outside diameter bearing
$g_4$	24 mm	distance flange to bearing seat
$h$	70 mm	distance shaft axis
$m$	180 mm	pitch circle diameter fixing holes
$s$	M12	size of fixing screws