

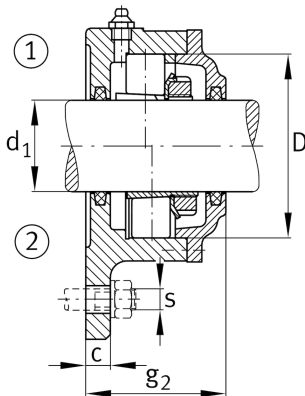
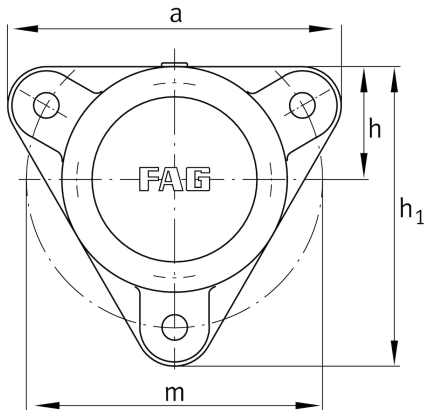
**FAG**★ **F513-B-L**

Flanged housing

Schaeffler ID:  
0384387550000Flanged housing for various bearing types,  
with conical bore and clamping sleeve,  
continuous shaft

★ Preferred product

## Technical information

**Main Dimensions & Performance Data**

$d_1$	60 mm	Shaft diameter
$a$	219 mm	Flange width
$h_1$	198 mm	height flange
$g_2$	79 mm	total width with cover
	3	number of fastening holes
	5,311 kg	Weight

**Dimensions**

	M10x1	connection thread lubrication
$c$	16 mm	thickness of flange
$D$	120 mm	outside diameter bearing
$g_4$	24 mm	distance flange to bearing seat
$h$	75 mm	distance shaft axis
$m$	190 mm	pitch circle diameter fixing holes
$s$	M12	size of fixing screws