

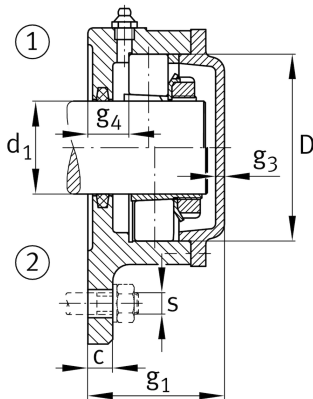
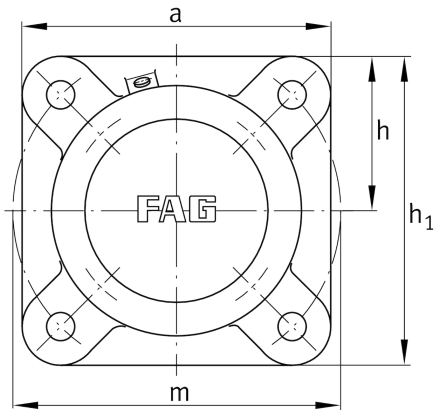
**FAG**★ **F517-A-L**

Flanged housing

Schaeffler ID:  
0384387710000Flanged housing for various bearing types,  
with conical bore and clamping sleeve,  
closed on one side

★ Preferred product

## Technical information

**Main Dimensions & Performance Data**

$d_1$	75 mm	Shaft diameter
$a$	210 mm	Flange width
$h_1$	210 mm	height flange
$g_2$	106 mm	total width with cover
	4	number of fastening holes
	12 kg	Weight

**Dimensions**

	M10x1	connection thread lubrication
$c$	25 mm	thickness of flange
$D$	150 mm	outside diameter bearing
$g_4$	31 mm	distance flange to bearing seat
$h$	105 mm	distance shaft axis
$m$	240 mm	pitch circle diameter fixing holes
$s$	M16	size of fixing screws