

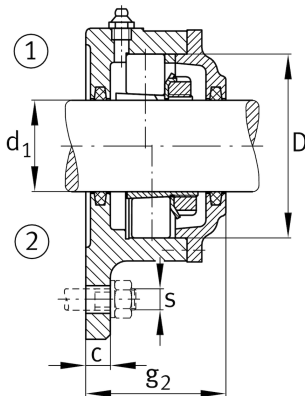
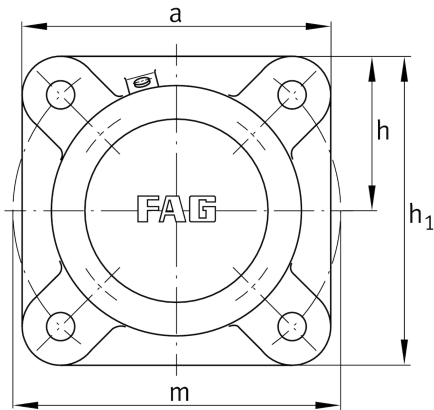
**FAG**★ **F517-B-L**

Flanged housing

Schaeffler ID:  
0191673690000Flanged housing for various bearing types,  
with conical bore and clamping sleeve,  
continuous shaft

★ Preferred product

## Technical information

**Main Dimensions & Performance Data**

$d_1$	75 mm	Shaft diameter
a	210 mm	Flange width
$h_1$	210 mm	height flange
$g_2$	114 mm	total width with cover
	4	number of fastening holes
	12 kg	Weight

**Dimensions**

	M10x1	connection thread lubrication
c	25 mm	thickness of flange
D	150 mm	outside diameter bearing
$g_4$	31 mm	distance flange to bearing seat
h	105 mm	distance shaft axis
m	240 mm	pitch circle diameter fixing holes
s	M16	size of fixing screws