

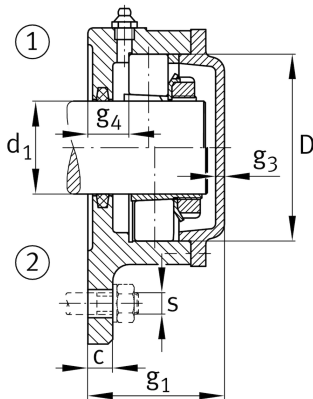
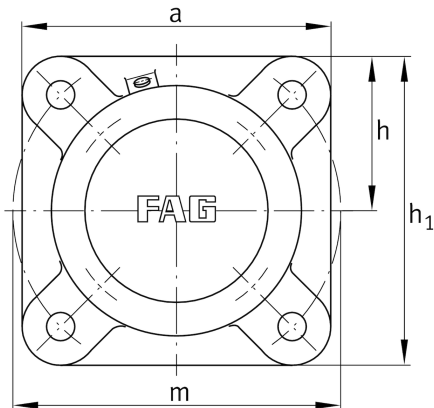
**FAG**★ **F518-A-L**

Flanged housing

Schaeffler ID:
0191673770000Flanged housing for various bearing types,
with conical bore and clamping sleeve,
closed on one side

★ Preferred product

Technical information

**Main Dimensions & Performance Data**

d_1	80 mm	Shaft diameter
a	210 mm	Flange width
h_1	210 mm	height flange
g_2	110 mm	total width with cover
	4	number of fastening holes
	12,5 kg	Weight

Dimensions

	M10x1	connection thread lubrication
c	25 mm	thickness of flange
D	160 mm	outside diameter bearing
g_4	29 mm	distance flange to bearing seat
h	105 mm	distance shaft axis
m	240 mm	pitch circle diameter fixing holes
s	M16	size of fixing screws