

**FAG**★ **F520-A-L**

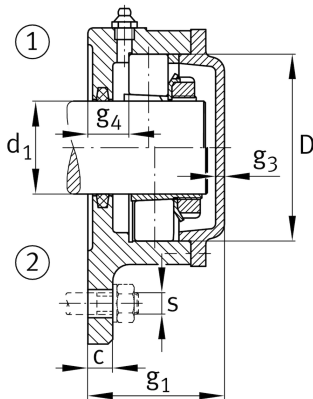
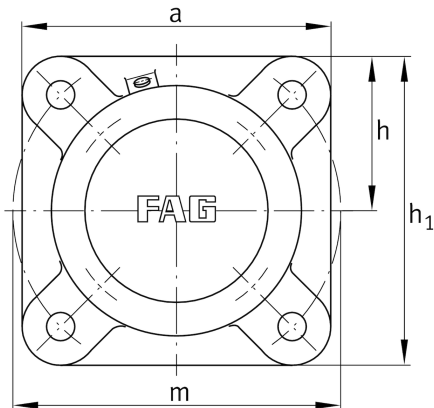
Flanged housing

Schaeffler ID:
0384387800000

★ Preferred product

Flanged housing for various bearing types,
with conical bore and clamping sleeve,
closed on one side

Technical information

**Main Dimensions & Performance Data**

d_1	90 mm	Shaft diameter
a	250 mm	Flange width
h_1	250 mm	height flange
g_2	119 mm	total width with cover
	4	number of fastening holes
	18,179 kg	Weight

Dimensions

	M10x1	connection thread lubrication
c	30 mm	thickness of flange
D	180 mm	outside diameter bearing
g_4	29 mm	distance flange to bearing seat
h	125 mm	distance shaft axis
m	280 mm	pitch circle diameter fixing holes
s	M20	size of fixing screws