

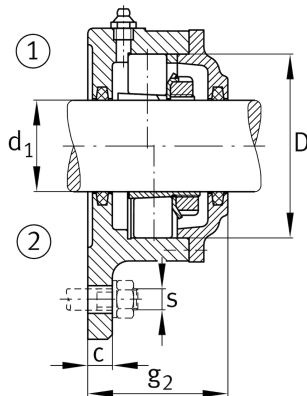
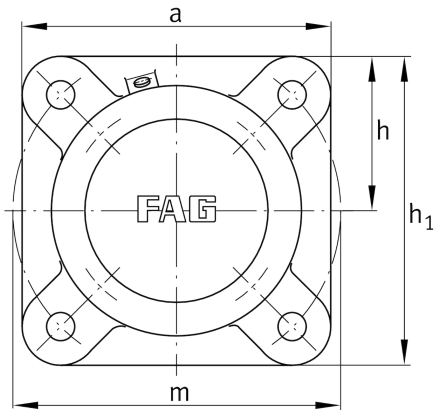
**FAG**★ **F522-B-L**

Flanged housing

Schaeffler ID:
0167288740000Flanged housing for various bearing types,
with conical bore and clamping sleeve,
continuous shaft

★ Preferred product

Technical information

**Main Dimensions & Performance Data**

d_1	100 mm	Shaft diameter
a	270 mm	Flange width
h_1	270 mm	height flange
g_2	137 mm	total width with cover
	4	number of fastening holes
	21,777 kg	Weight

Dimensions

	M10x1	connection thread lubrication
c	30 mm	thickness of flange
D	200 mm	outside diameter bearing
g_4	30 mm	distance flange to bearing seat
h	135 mm	distance shaft axis
m	310 mm	pitch circle diameter fixing holes
s	M20	size of fixing screws