



FAG

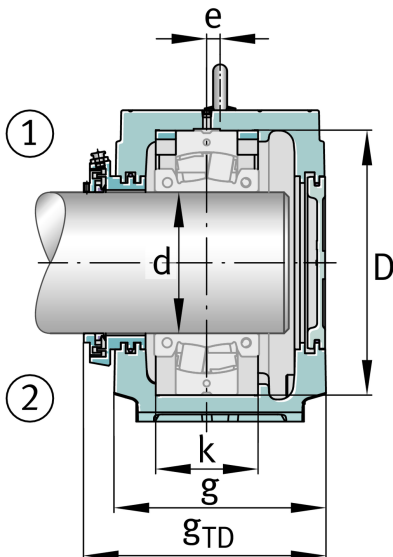
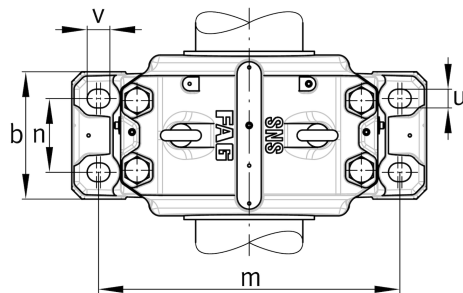
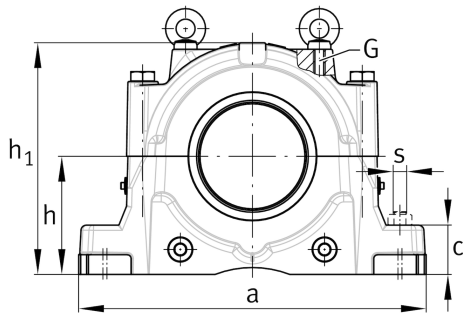
**SNS3248-Z-D**

Plummer block housing

Schaeffler ID:  
0806344940000

Plummer block housing, split, for spherical roller bearings with cylindrical bore, metric shaft diameters, for grease lubrication

## Technical information

**Main Dimensions & Performance Data**

$h_1$	516 mm	Housing height
$g$	320 mm	Housing width
$a$	770 mm	length base
	225,7 kg	Weight

**Dimensions**

$c$	100 mm	Base height
$b$	280 mm	Base width
$n_2$	160 mm	Base hole distance 2
$D$	440 mm	Bearing seat
$e$	13 mm	Center offset
$h$	260 mm	Center height
$k$	180 mm	Bearing seat width
$m$	650 mm	Base hole distance 1
$s$	M36	Screw size base hole fixing
$u$	42 mm	Base hole width
$v$	50 mm	Base hole length

