



FAG

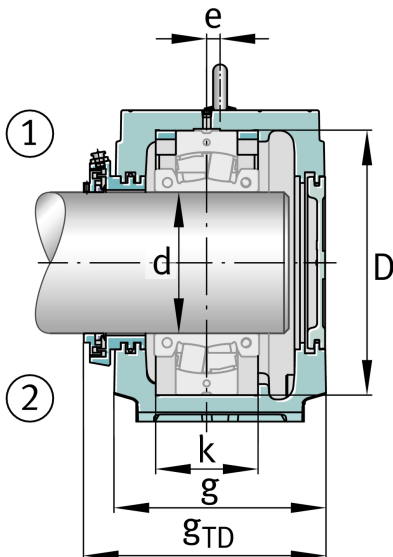
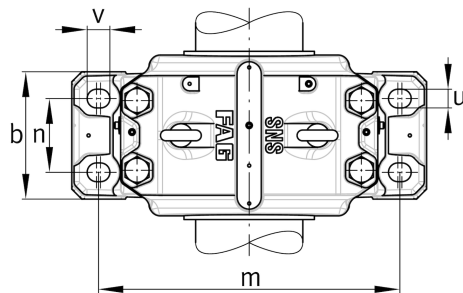
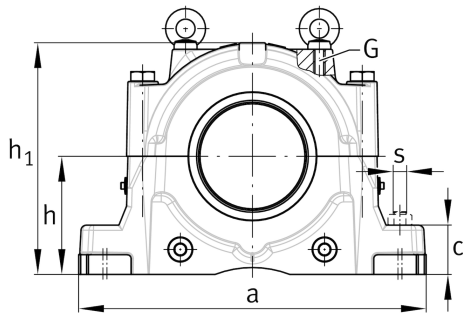
SNS3252-H-D

Plummer block housing

Schaeffler ID:
0806345400000

Plummer block housing, split, for spherical roller bearings, metric and inch size shaft diameters, for grease lubrication

Technical information

**Main Dimensions & Performance Data**

h_1	591 mm	Housing height
g	350 mm	Housing width
a	830 mm	length base
	331 kg	Weight

Dimensions

c	110 mm	Base height
b	310 mm	Base width
n_2	190 mm	Base hole distance 2
D	480 mm	Bearing seat
e	22 mm	Center offset
h	300 mm	Center height
k	194 mm	Bearing seat width
m	710 mm	Base hole distance 1
s	M36	Screw size base hole fixing
u	42 mm	Base hole width
v	50 mm	Base hole length

