

FAG

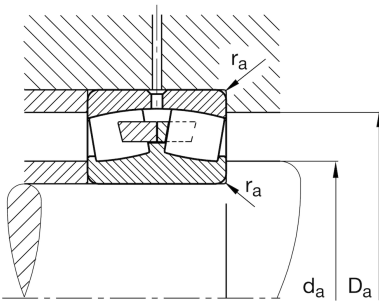
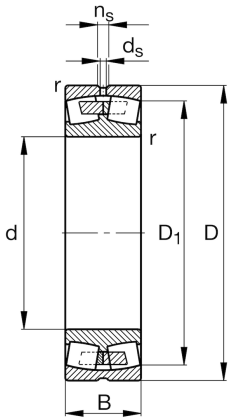
★ 23968-MB

Spherical roller bearing

Schaeffler ID:
0383811410000Spherical roller bearing 239..-MB,
symmetric 3 ribs

★ Preferred product

Technical information



Temperature range

T_{\min}	-30 °C	Operating temperature min.
T_{\max}	200 °C	Operating temperature max.
	43,035 kg	Weight

Main Dimensions & Performance Data

d	340 mm	Bore diameter
D	460 mm	Outside diameter
B	90 mm	Width
C_r	1.370.000 N	Basic dynamic load rating, radial
C_{0r}	3.000.000 N	Basic static load rating, radial
C_{ur}	204.000 N	Fatigue load limit, radial
n_G	1.610 1/min	Limiting speed
n_{gr}	860 1/min	Reference speed

Dimensions

r_{\min}	3 mm	Minimum chamfer dimension
D_1	426,7 mm	Bore diameter outer ring
d_s	9,5 mm	Diameter lubrication hole
n_s	17,7 mm	Width of lubricating groove

Mounting dimensions

$d_{a\min}$	352,4 mm	Minimum diameter shaft shoulder
$D_{a\max}$	447,6 mm	Maximum diameter of housing shoulder
$r_{a\max}$	2,5 mm	Maximum recess radius

Additional information

e	0,18	Limiting value of F_a/F_r for the applicability of diff. Values of factors X and Y
Y_1	3,85	Dynamic axial load factor
Y_2	5,73	Dynamic axial load factor
Y_0	3,76	Static axial load factor