



FAG

★ 24072-BEA-XL-MB1

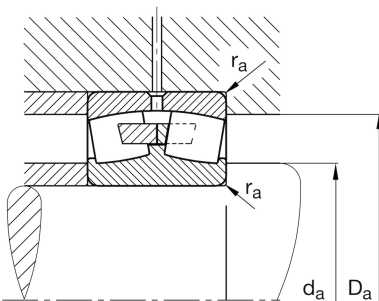
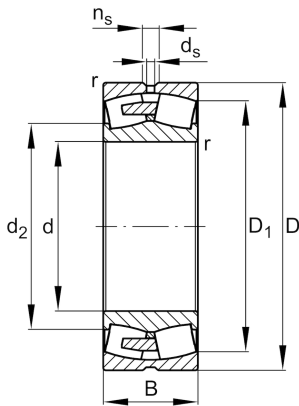
Spherical roller bearing

Schaeffler ID:
0733491510000Spherical roller bearing 240..-BEA-XL-
MB1, symmetric 2 outer ribs with rib
washer

★ Preferred product

X-life

Technical information



Temperature range

T_{min}	-30 °C	Operating temperature min.
-----------	--------	----------------------------

T_{max}	200 °C	Operating temperature max.
-----------	--------	----------------------------

	145,3 kg	Weight
--	----------	--------

Main Dimensions & Performance Data

d	360 mm	Bore diameter
D	540 mm	Outside diameter
B	180 mm	Width
C_r	3.650.000 N	Basic dynamic load rating, radial
C_{0r}	6.600.000 N	Basic static load rating, radial
C_{ur}	570.000 N	Fatigue load limit, radial
n_G	1.040 1/min	Limiting speed
n_{gr}	570 1/min	Reference speed

Dimensions

r_{min}	5 mm	Minimum chamfer dimension
D_1	476,4 mm	Bore diameter outer ring
d_s	9,5 mm	Diameter lubrication hole
n_s	17,7 mm	Width of lubricating groove

Mounting dimensions

$d_{a min}$	378 mm	Minimum diameter shaft shoulder
$D_{a max}$	522 mm	Maximum diameter of housing shoulder
$r_{a max}$	4 mm	Maximum recess radius

Additional information

e	0,3	Limiting value of Fa/Fr for the applicability of diff. Values of factors X and Y
Y ₁	2,23	Dynamic axial load factor
Y ₂	3,32	Dynamic axial load factor
Y ₀	2,18	Static axial load factor