



FAG

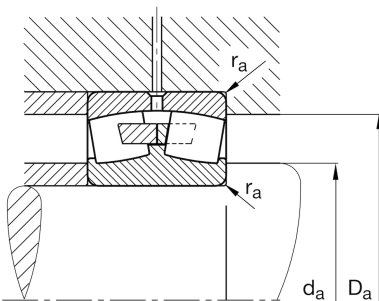
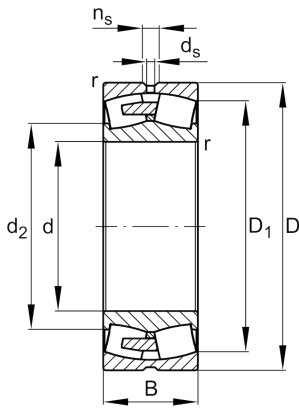
24080-BEA-XL-MB1

Spherical roller bearing

Schaeffler ID:
0840138930000Spherical roller bearing 240..-BEA-XL-
MB1, symmetric 2 outer ribs with rib
washer

X-life

Technical information

**Temperature range**

T_{\min}	-30 °C	Operating temperature min.
T_{\max}	200 °C	Operating temperature max.
	197,3 kg	Weight

Main Dimensions & Performance Data

d	400 mm	Bore diameter
D	600 mm	Outside diameter
B	200 mm	Width
C_r	4.500.000 N	Basic dynamic load rating, radial
C_{0r}	8.100.000 N	Basic static load rating, radial
C_{ur}	680.000 N	Fatigue load limit, radial
n_G	920 1/min	Limiting speed
n_{gr}	495 1/min	Reference speed

Dimensions

r_{\min}	5 mm	Minimum chamfer dimension
D_1	529,4 mm	Bore diameter outer ring
d_s	12,5 mm	Diameter lubrication hole
n_s	23,5 mm	Width of lubricating groove

Mounting dimensions

$d_{a\min}$	418 mm	Minimum diameter shaft shoulder
$D_{a\max}$	582 mm	Maximum diameter of housing shoulder
$r_{a\max}$	4 mm	Maximum recess radius

Additional information

e	0,3	Limiting value of Fa/Fr for the applicability of diff. Values of factors X and Y
Y ₁	2,23	Dynamic axial load factor
Y ₂	3,32	Dynamic axial load factor
Y ₀	2,18	Static axial load factor