

FAG

## ★ 29356-E1-XL

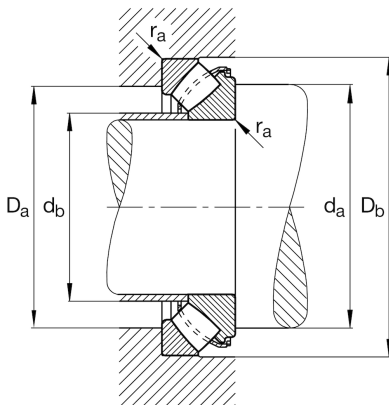
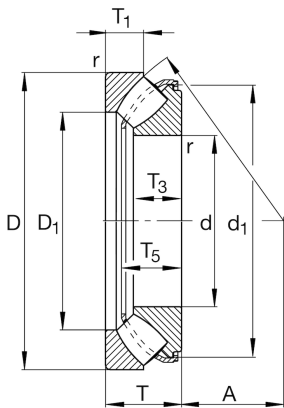
Axial spherical roller bearing

Schaeffler ID:  
0390000010000Axial spherical roller bearing 293..-E1-XL,  
no flanging ring

★ Preferred product

X-life

## Technical information



## Temperature range

$T_{min}$	-30 °C	Operating temperature min.
$T_{max}$	200 °C	Operating temperature max.
	48,84 kg	Weight

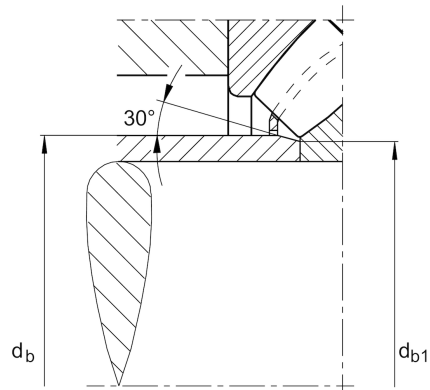
## Main Dimensions &amp; Performance Data

d	280 mm	Bore diameter
D	440 mm	Outside diameter
T	95 mm	Height
$C_a$	2.650.000 N	Basic dynamic load rating, axial
$C_{0a}$	8.800.000 N	Basic static load rating, axial
$C_{ua}$	980.000 N	Fatigue load limit, axial
$n_G$	1.460 1/min	Limiting speed
$n_{gr}$	740 1/min	Reference speed

## Dimensions

$D_1$	343 mm	Bore diameter housing washer
$d_1$	406,5 mm	Rip diameter shaft washer
$r_{min}$	5 mm	Minimum chamfer dimension
$T_1$	45,5 mm	Height of the housing washer
$T_3$	62 mm	Height of the shaft washer
$T_5$	86,1 mm	Distance shaft washer - cage
A	158 mm	Distance of the center point

### Mounting dimensions



$d_{a \min}$	355 mm	Minimum diameter shaft shoulder
$D_{a \max}$	394 mm	Maximum diameter of housing shoulder
$D_{b \min}$	450 mm	Minimum bore diameter housing
$d_{b \max}$	305 mm	Maximum distance sleeve
$d_{b1 \max}$	293 mm	Maximum chamfer diameter of distance sleeve
$r_{a \max}$	4 mm	Maximum recess radius
	$30^\circ$	Angle of chamfer of the distance sleeve