

FAG

★ 29360-E1-XL

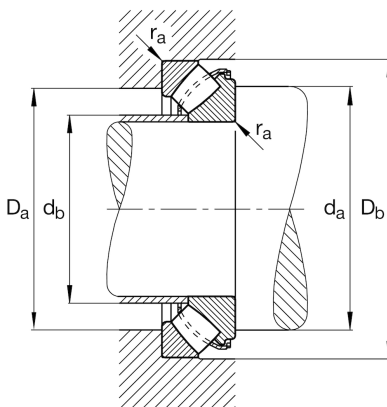
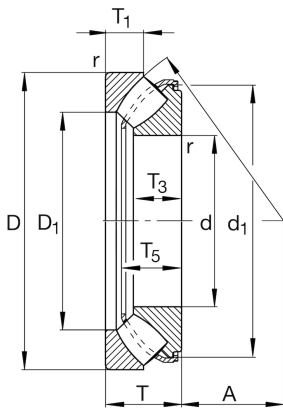
Axial spherical roller bearing

Schaeffler ID:
0390000280000Axial spherical roller bearing 293..-E1-XL,
no flanging ring

★ Preferred product

X-life

Technical information



Temperature range

T_{min}	-30 °C	Operating temperature min.
T_{max}	200 °C	Operating temperature max.
	66,1 kg	Weight

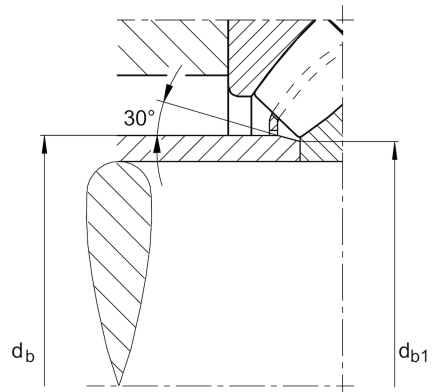
Main Dimensions & Performance Data

d	300 mm	Bore diameter
D	480 mm	Outside diameter
T	109 mm	Height
C_a	3.200.000 N	Basic dynamic load rating, axial
C_{0a}	10.500.000 N	Basic static load rating, axial
C_{ua}	1.160.000 N	Fatigue load limit, axial
n_G	1.320 1/min	Limiting speed
n_{gr}	680 1/min	Reference speed

Dimensions

D_1	372 mm	Bore diameter housing washer
d_1	439,6 mm	Rip diameter shaft washer
r_{min}	5 mm	Minimum chamfer dimension
T_1	51 mm	Height of the housing washer
T_3	70 mm	Height of the shaft washer
T_5	97,9 mm	Distance shaft washer - cage
A	168 mm	Distance of the center point

Mounting dimensions



$d_{a \min}$	385 mm	Minimum diameter shaft shoulder
$D_{a \max}$	429 mm	Maximum diameter of housing shoulder
$D_{b \min}$	490 mm	Minimum bore diameter housing
$d_{b \max}$	329 mm	Maximum distance sleeve
$d_{b1 \max}$	318 mm	Maximum chamfer diameter of distance sleeve
$r_{a \max}$	4 mm	Maximum recess radius
	30°	Angle of chamfer of the distance sleeve