

FAG

## ★ 29364-E1-XL

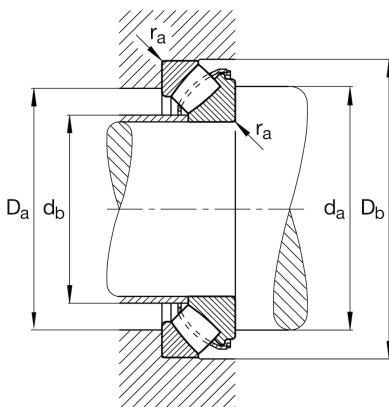
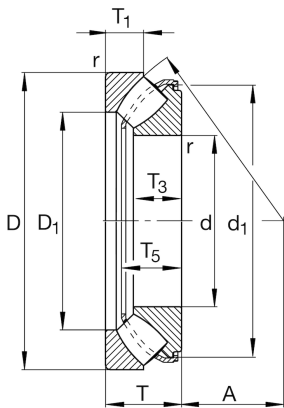
Axial spherical roller bearing

Schaeffler ID:  
0390000440000Axial spherical roller bearing 293..-E1-XL,  
no flanging ring

★ Preferred product

X-life

## Technical information



## Temperature range

$T_{min}$	-30 °C	Operating temperature min.
$T_{max}$	200 °C	Operating temperature max.
	68,16 kg	Weight

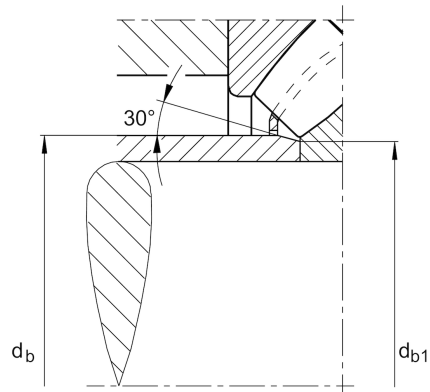
## Main Dimensions &amp; Performance Data

d	320 mm	Bore diameter
D	500 mm	Outside diameter
T	109 mm	Height
$C_a$	3.350.000 N	Basic dynamic load rating, axial
$C_{0a}$	11.000.000 N	Basic static load rating, axial
$C_{ua}$	1.210.000 N	Fatigue load limit, axial
$n_G$	1.260 1/min	Limiting speed
$n_{gr}$	650 1/min	Reference speed

## Dimensions

$D_1$	391 mm	Bore diameter housing washer
$d_1$	460 mm	Rip diameter shaft washer
$r_{min}$	5 mm	Minimum chamfer dimension
$T_1$	53 mm	Height of the housing washer
$T_3$	68 mm	Height of the shaft washer
$T_5$	96,6 mm	Distance shaft washer - cage
A	180 mm	Distance of the center point

### Mounting dimensions



$d_{a \min}$	405 mm	Minimum diameter shaft shoulder
$D_{a \max}$	449 mm	Maximum diameter of housing shoulder
$D_{b \min}$	510 mm	Minimum bore diameter housing
$d_{b \max}$	347 mm	Maximum distance sleeve
$d_{b1 \max}$	333 mm	Maximum chamfer diameter of distance sleeve
$r_{a \max}$	4 mm	Maximum recess radius
	$30^\circ$	Angle of chamfer of the distance sleeve