



FAG

★ 23264-BEA-XL-MB1

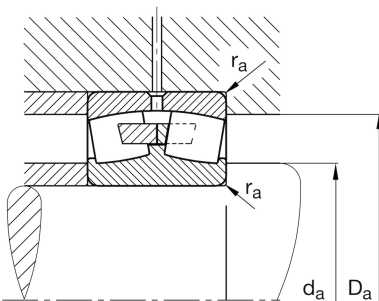
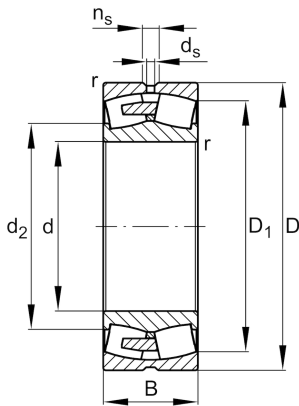
Spherical roller bearing

Schaeffler ID:
0798127320000Spherical roller bearing 232..-BEA-XL-
MB1, symmetric 2 outer ribs with rib
washer

★ Preferred product

X-life

Technical information



Temperature range

| | | |
|-----------|--------|----------------------------|
| T_{min} | -30 °C | Operating temperature min. |
|-----------|--------|----------------------------|

| | | |
|-----------|--------|----------------------------|
| T_{max} | 200 °C | Operating temperature max. |
|-----------|--------|----------------------------|

| | | |
|--|--------|--------|
| | 238 kg | Weight |
|--|--------|--------|

Main Dimensions & Performance Data

| | | |
|----------|-------------|-----------------------------------|
| d | 320 mm | Bore diameter |
| D | 580 mm | Outside diameter |
| B | 208 mm | Width |
| C_r | 4.650.000 N | Basic dynamic load rating, radial |
| C_{0r} | 7.000.000 N | Basic static load rating, radial |
| C_{ur} | 510.000 N | Fatigue load limit, radial |
| n_G | 1.060 1/min | Limiting speed |
| n_{gr} | 510 1/min | Reference speed |

Dimensions

| | | |
|-----------|----------|-----------------------------|
| r_{min} | 5 mm | Minimum chamfer dimension |
| D_1 | 490,4 mm | Bore diameter outer ring |
| d_s | 12,5 mm | Diameter lubrication hole |
| n_s | 23,5 mm | Width of lubricating groove |

Mounting dimensions

| | | |
|-------------|--------|--------------------------------------|
| $d_{a min}$ | 340 mm | Minimum diameter shaft shoulder |
| $D_{a max}$ | 560 mm | Maximum diameter of housing shoulder |
| $r_{a max}$ | 4 mm | Maximum recess radius |

Additional information

| | | |
|----------------|------|--|
| e | 0,35 | Limiting value of Fa/Fr for the applicability of diff. Values of factors X and Y |
| Y ₁ | 1,91 | Dynamic axial load factor |
| Y ₂ | 2,85 | Dynamic axial load factor |
| Y ₀ | 1,87 | Static axial load factor |