

## PNA40/62-XL

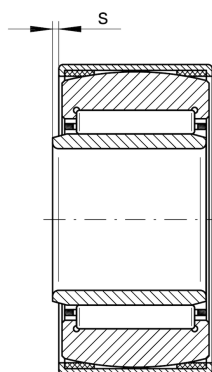
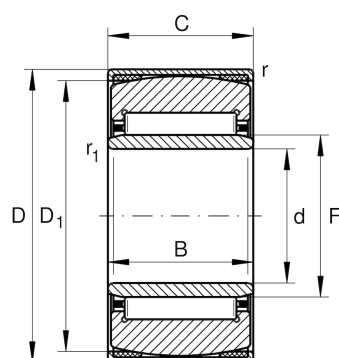
Aligning needle roller bearing

Schaeffler ID:  
0507803100000

Aligning needle roller bearings PNA, with  
inner ring

X-life

### Technical information



#### Main Dimensions & Performance Data

d	40 mm	Bore diameter
D	62 mm	Outside diameter
C	20 mm	Width, outer ring
$C_r$	31.000 N	Basic dynamic load rating, radial
$C_{0r}$	53.000 N	Basic static load rating, radial
$C_{ur}$	9.400 N	Fatigue load limit, radial
$n_G$	10.200 1/min	Limiting speed
	0,226 kg	Weight

#### Dimensions

F	45 mm	Raceway diameter inner ring
B	20 mm	Width, inner ring
$D_1$	58 mm	Flange diameter of outer cup
$r_{min}$	0,8 mm	Minimum chamfer dimension
$r_{1 min}$	0,3 mm	Minimum chamfer dimension
$s_{min}$	0,5 mm	Minimum axial displacement

#### Temperature range

$T_{min}$	-20 °C	Operating temperature min.
$T_{max}$	100 °C	Operating temperature max.