

## RPNA28/44-XL

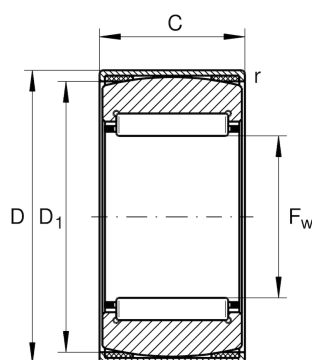
Aligning needle roller bearing

Schaeffler ID:  
0507796800000

Aligning needle roller bearings RPNA,  
without inner ring

X-life

### Technical information



#### Main Dimensions & Performance Data

$F_w$	28 mm	Under roller diameter
$D$	44 mm	Outside diameter
$C$	20 mm	Width, outer ring
$C_r$	24.800 N	Basic dynamic load rating, radial
$C_{0r}$	34.000 N	Basic static load rating, radial
$C_{ur}$	6.000 N	Fatigue load limit, radial
$n_G$	15.800 1/min	Limiting speed
	0,107 kg	Weight

#### Dimensions

$D_1$	38,5 mm	Flange diameter of outer cup
$r_{min}$	0,8 mm	Minimum chamfer dimension

#### Temperature range

$T_{min}$	-20 °C	Operating temperature min.
$T_{max}$	100 °C	Operating temperature max.