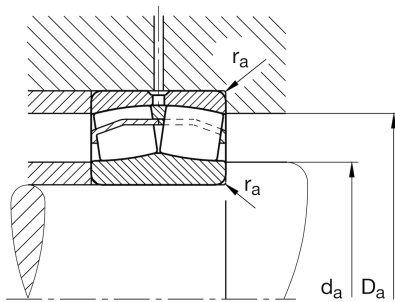
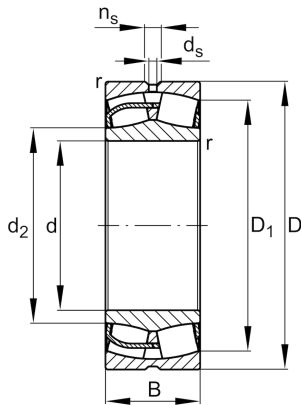


Technical information



24168-BE-XL

Spherical roller bearing

Schaeffler ID:
0829420050000

Spherical roller bearing 241..-BE-XL,
symmetric with rib washer

Main Dimensions & Performance Data

d	340 mm	Bore diameter
D	580 mm	Outside diameter
B	243 mm	Width
C_r	5.400.000 N	Basic dynamic load rating, radial
C_{0r}	8.800.000 N	Basic static load rating, radial
C_{ur}	640.000 N	Fatigue load limit, radial
n_G	900 1/min	Limiting speed
n_{gr}	370 1/min	Reference speed
	259,5 kg	Weight

Additional information

r_{min}	5 mm	Minimum chamfer dimension
D_1	484,1 mm	Bore diameter outer ring
d_2	382,8 mm	Raceway diameter of the inner ring
d_s	9,5 mm	Diameter lubrication hole
n_s	17,7 mm	Width of lubricating groove

Mounting dimensions

$d_{a min}$	360 mm	Minimum diameter shaft shoulder
$D_{a max}$	560 mm	Maximum diameter of housing shoulder
$r_{a max}$	4 mm	Maximum recess radius

Calculation factors

e	0,42	Limiting value of F_a/F_r for the applicability of diff. Values of factors X and Y
Y_1	1,62	Dynamic axial load factor
Y_2	2,42	Dynamic axial load factor
Y_0	1,59	Static axial load factor

Temperature range

T _{min}	-30 °C	Operating temperature min.
T _{max}	200 °C	Operating temperature max.