

FAG

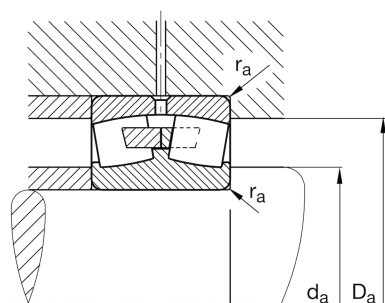
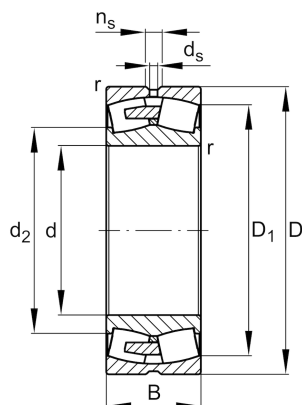
**23272-BEA-XL-MB1**

Spherical roller bearing

Schaeffler ID:  
0647874940000Spherical roller bearing 232..-BEA-XL-  
MB1, symmetric 2 outer ribs with rib  
washer

X-life

## Technical information

**Main Dimensions & Performance Data**

d	360 mm	Bore diameter
D	650 mm	Outside diameter
B	232 mm	Width
$C_r$	5.700.000 N	Basic dynamic load rating, radial
$C_{0r}$	8.900.000 N	Basic static load rating, radial
$C_{ur}$	630.000 N	Fatigue load limit, radial
$n_G$	930 1/min	Limiting speed
$n_{gr}$	430 1/min	Reference speed
	336,5 kg	Weight

**Additional information**

$r_{min}$	6 mm	Minimum chamfer dimension
$D_1$	550,8 mm	Bore diameter outer ring
$d_s$	12,5 mm	Diameter lubrication hole
$n_s$	23,5 mm	Width of lubricating groove

**Mounting dimensions**

$d_{a min}$	386 mm	Minimum diameter shaft shoulder
$D_{a max}$	624 mm	Maximum diameter of housing shoulder
$r_{a max}$	5 mm	Maximum recess radius

**Calculation factors**

e	0,36	Limiting value of $F_a/F_r$ for the applicability of diff. Values of factors X and Y
$Y_1$	1,9	Dynamic axial load factor
$Y_2$	2,83	Dynamic axial load factor
$Y_0$	1,86	Static axial load factor

**Temperature range**

T <sub>min</sub>	-30 °C	Operating temperature min.
T <sub>max</sub>	200 °C	Operating temperature max.