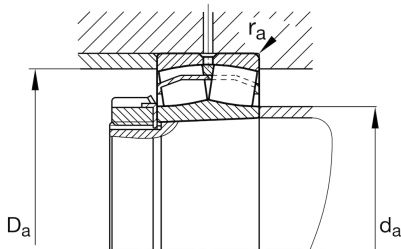
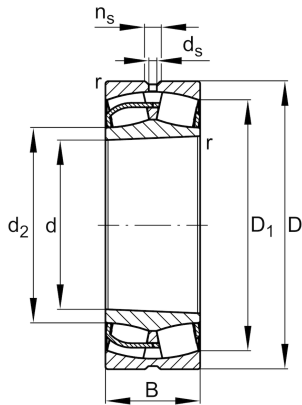


Technical information



Temperature range

T_{min}	-30 °C	Operating temperature min.
T_{max}	200 °C	Operating temperature max.
	40,41 kg	Weight

Main Dimensions & Performance Data

d	190 mm	Bore diameter
D	320 mm	Outside diameter
B	128 mm	Width
C_r	1.680.000 N	Basic dynamic load rating, radial
C_{0r}	2.550.000 N	Basic static load rating, radial
C_{ur}	232.000 N	Fatigue load limit, radial
n_G	1.850 1/min	Limiting speed
n_{gr}	880 1/min	Reference speed

Dimensions

r_{min}	3 mm	Minimum chamfer dimension
D_1	271,6 mm	Bore diameter outer ring
d_2	217,4 mm	Raceway diameter of the inner ring
d_s	6,3 mm	Diameter lubrication hole
n_s	12,2 mm	Width of lubricating groove

Mounting dimensions

$d_{a min}$	204 mm	Minimum diameter shaft shoulder
$D_{a max}$	306 mm	Maximum diameter of housing shoulder
$r_{a max}$	2,5 mm	Maximum recess radius

Additional information

e	0,37	Limiting value of Fa/Fr for the applicability of diff. Values of factors X and Y
Y ₁	1,82	Dynamic axial load factor
	AH24138	Withdrawal sleeve
Y ₂	2,7	Dynamic axial load factor
Y ₀	1,78	Static axial load factor