



FAG

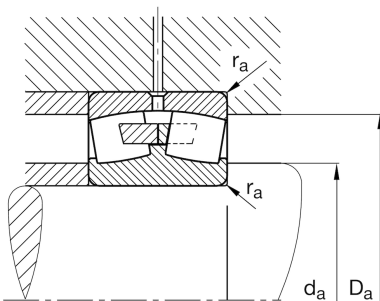
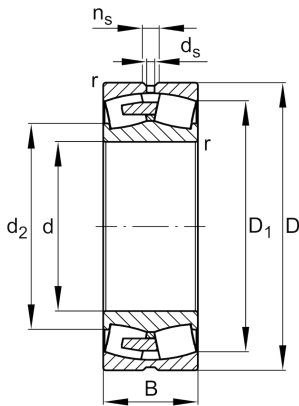
23192-BEA-XL-MB1

Spherical roller bearing

Schaeffler ID:
0766885770000Spherical roller bearing 231..-BEA-XL-
MB1, symmetric 2 outer ribs with rib
washer

X-life

Technical information

**Temperature range**

T_{min}	-30 °C	Operating temperature min.
T_{max}	200 °C	Operating temperature max.
	433,5 kg	Weight

Main Dimensions & Performance Data

d	460 mm	Bore diameter
D	760 mm	Outside diameter
B	240 mm	Width
C_r	6.900.000 N	Basic dynamic load rating, radial
C_{0r}	11.500.000 N	Basic static load rating, radial
C_{ur}	760.000 N	Fatigue load limit, radial
n_G	770 1/min	Limiting speed
n_{gr}	395 1/min	Reference speed

Dimensions

r_{min}	7,5 mm	Minimum chamfer dimension
D_1	663,4 mm	Bore diameter outer ring
d_s	12,5 mm	Diameter lubrication hole
n_s	23,5 mm	Width of lubricating groove

Mounting dimensions

$d_{a min}$	492 mm	Minimum diameter shaft shoulder
$D_{a max}$	728 mm	Maximum diameter of housing shoulder
$r_{a max}$	6 mm	Maximum recess radius

Additional information

e	0,31	Limiting value of Fa/Fr for the applicability of diff. Values of factors X and Y
Y ₁	2,21	Dynamic axial load factor
Y ₂	3,29	Dynamic axial load factor
Y ₀	2,16	Static axial load factor