



FAG

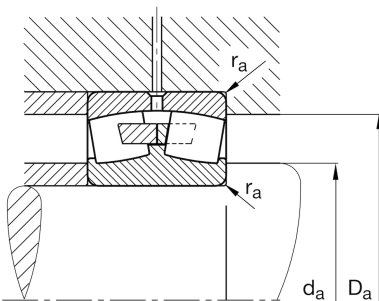
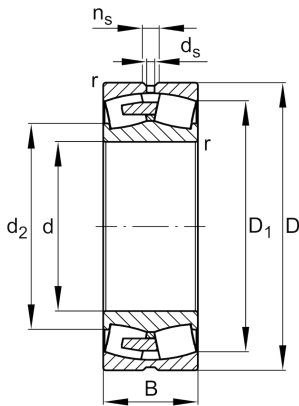
**23176-BEA-XL-MB1**

Spherical roller bearing

Schaeffler ID:  
0846684310000Spherical roller bearing 231..-BEA-XL-  
MB1, symmetric 2 outer ribs with rib  
washer

X-life

## Technical information

**Temperature range**

$T_{min}$	-30 °C	Operating temperature min.
$T_{max}$	200 °C	Operating temperature max.
	228 kg	Weight

**Main Dimensions & Performance Data**

d	380 mm	Bore diameter
D	620 mm	Outside diameter
B	194 mm	Width
$C_r$	4.700.000 N	Basic dynamic load rating, radial
$C_{0r}$	7.600.000 N	Basic static load rating, radial
$C_{ur}$	540.000 N	Fatigue load limit, radial
$n_G$	990 1/min	Limiting speed
$n_{gr}$	530 1/min	Reference speed

**Dimensions**

$r_{min}$	5 mm	Minimum chamfer dimension
$D_1$	543,6 mm	Bore diameter outer ring
$d_s$	12,5 mm	Diameter lubrication hole
$n_s$	23,5 mm	Width of lubricating groove

**Mounting dimensions**

$d_{a min}$	400 mm	Minimum diameter shaft shoulder
$D_{a max}$	600 mm	Maximum diameter of housing shoulder
$r_{a max}$	4 mm	Maximum recess radius

**Additional information**

e	0,3	Limiting value of Fa/Fr for the applicability of diff. Values of factors X and Y
Y <sub>1</sub>	2,25	Dynamic axial load factor
Y <sub>2</sub>	3,34	Dynamic axial load factor
Y <sub>0</sub>	2,2	Static axial load factor