

FAG

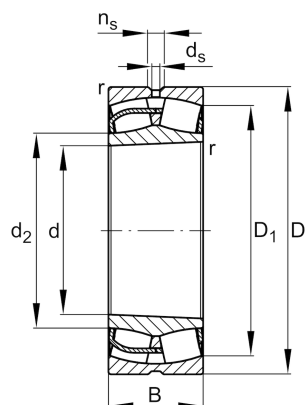
24148-BE-XL-K30

Spherical roller bearing

Schaeffler ID:
0687788210000Spherical roller bearings 241...-BE-K30,
main dimensions to DIN 635-2, with
tapered bore, taper 1:30

X-life

Technical information



Main Dimensions & Performance Data

d	240 mm	Bore diameter
D	400 mm	Outside diameter
B	160 mm	Width
C _r	2.600.000 N	Basic dynamic load rating, radial
C _{0r}	3.900.000 N	Basic static load rating, radial
C _{ur}	340.000 N	Fatigue load limit, radial
n _G	1.470 1/min	Limiting speed
n _{gr}	650 1/min	Reference speed
	77,32 kg	Weight

Additional information

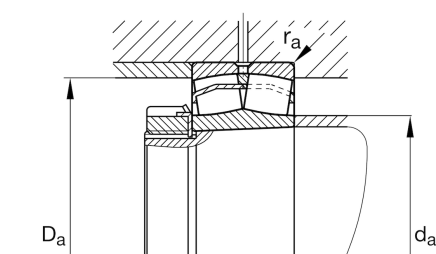
r _{min}	4 mm	Minimum chamfer dimension
D ₁	339 mm	Bore diameter outer ring
	AH24148	Withdrawal sleeve
d ₂	267,3 mm	Raceway diameter of the inner ring
d _s	6,3 mm	Diameter lubrication hole
n _s	12,2 mm	Width of lubricating groove

Mounting dimensions

d _{a min}	257 mm	Minimum diameter shaft shoulder
D _{a max}	383 mm	Maximum diameter of housing shoulder
r _{a max}	3 mm	Maximum recess radius

Calculation factors

e	0,39	Limiting value of Fa/Fr for the applicability of diff. Values of factors X and Y
Y ₁	1,71	Dynamic axial load factor
Y ₂	2,54	Dynamic axial load factor
Y ₀	1,67	Static axial load factor



Temperature range

T _{min}	-30 °C	Operating temperature min.
T _{max}	200 °C	Operating temperature max.